

4

3

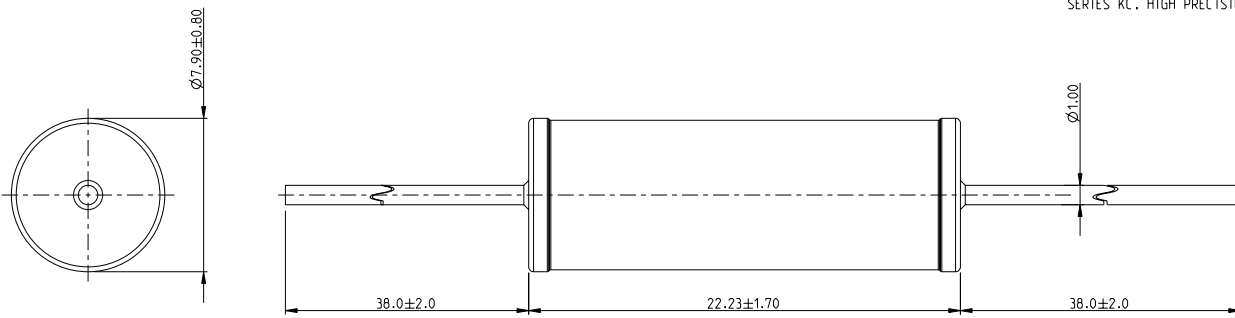
2

1

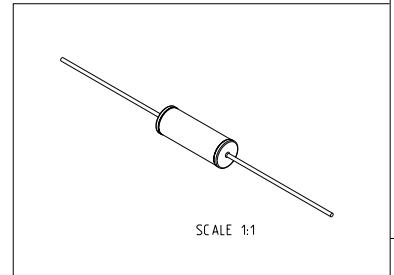
THIS DRAWING IS UNPUBLISHED. RELEASED FOR PUBLICATION 2009
COPYRIGHT 2009 BY TYCO ELECTRONICS CORPORATION. ALL RIGHTS RESERVED.

LOC	DIST	REVISIONS			
P	LTR	DESCRIPTION	DATE	DWN	APVD
E	B	BA	NEW RELEASE	25-SEP-09	MRS ST.P

FOR FURTHER INFORMATION SEE DATA SHEET FOR SERIES KC. HIGH PRECISION RESISTORS



RoHS Compliant



SCALE 1:1

<small>THIS DRAWING IS A CONTROLLED DOCUMENT FOR TYCO ELECTRONICS CORPORATION. IT IS SUBJECT TO CHANGE AND THE CONTROLLING ENGINEERING ORGANIZATION SHOULD BE CONTACTED FOR THE LATEST REVISION.</small>		DWN 25-SEP-09 MAHARUDRA CHK 25-SEP-09 ALLAN.P APVD 25-SEP-09 STEPHEN.P	Tyco Electronics Corporation Dorcan, Swindon, SN3 5HH
DIMENSIONS: mm	TOLERANCES UNLESS OTHERWISE SPECIFIED: 0 PLC ± 0.2 1 PLC ± 0.1 2 PLC \pm 3 PLC \pm 4 PLC \pm ANGLES $\pm 5^\circ$	NAME HIGH PRECISION RESISTORS SERIES KC5	RESTRICTED TO -
MATERIAL - FINISH -		SIZE A3 CAGE CODE 00779 DRAWING NO C-1624240	CUSTOMER DRAWING SCALE 5:1 SHEET 1 OF 1 REV BA

AMP 1470-19 REV 31MAR2000

PRO/ENGINEER DRAWING