

4

3

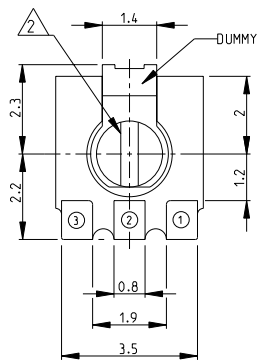
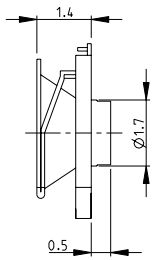
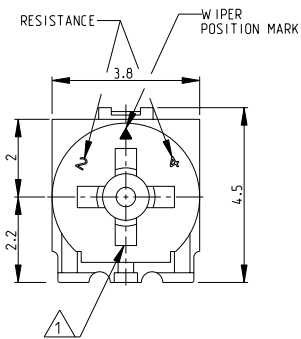
2

1

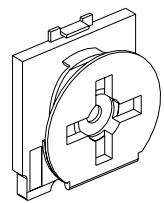
THIS DRAWING IS UNPUBLISHED. RELEASED FOR PUBLICATION 2008  
 © COPYRIGHT 2008 BY TYCO ELECTRONICS CORPORATION. ALL RIGHTS RESERVED.

LOC	DIST	REVISIONS			
P	LTR	DESCRIPTION	DATE	DWN	APVD
BA		NEW RELEASE	01-DEC-08	SM	ST.P

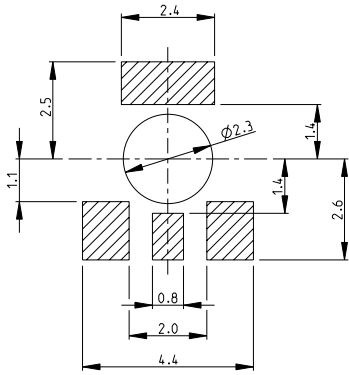
- 1 TOP DRIVER SLOT: WIDTH- 0.55; LENGTH- 2.5; DEPTH- 0.3
- 2 BOTTOM DRIVER SLOT: WIDTH- 0.45; DEPTH- 0.35
- 3 FOR FURTHER INFORMATION SEE DATA SHEET FOR 3150 SERIES-SMD ECONOMY TRIMMERS



RoHS Compliant



RECOMMENDED LAND PATTERN



<small>THIS DRAWING IS A CONTROLLED DOCUMENT FOR TYCO ELECTRONICS CORPORATION          IT IS SUBJECT TO CHANGE AND THE CONTROLLING ENGINEERING ORGANIZATION          SHOULD BE CONTACTED FOR THE LATEST REVISION.</small>		DWN SUBHASH.M 01-DEC-08 CHK PRAKASH.S 01-DEC-08 APVD STEPHEN.P 01-DEC-08	Tyco Electronics Corporation Dorean, Swindon, SN3 5HH
DIMENSIONS: mm	TOLERANCES UNLESS OTHERWISE SPECIFIED: 0 PLC ±0.2 1 PLC ±0.1 2 PLC ± 3 PLC ± 4 PLC ± ANGLES ±5°	NAME SMD ECONOMY TRIMMERS SERIES 3155	RESTRICTED TO
MATERIAL	FINISH	SIZE A3 CAGE CODE 00779 DRAWING NO 1623914	SCALE 10:1 SHEET 1 OF 1 REV BA
CUSTOMER DRAWING			

AMP 1470-19 REV 31MAR2000

Pro/ENGINEER DRAWING