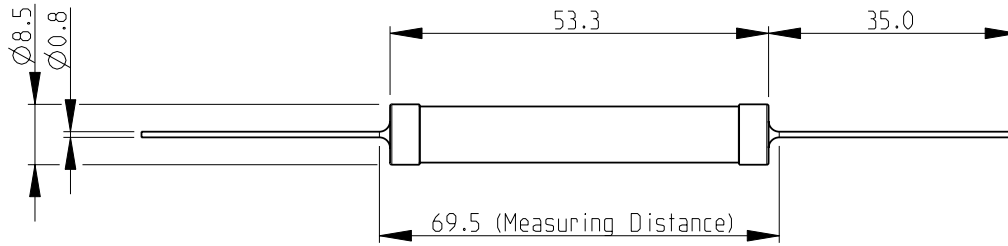


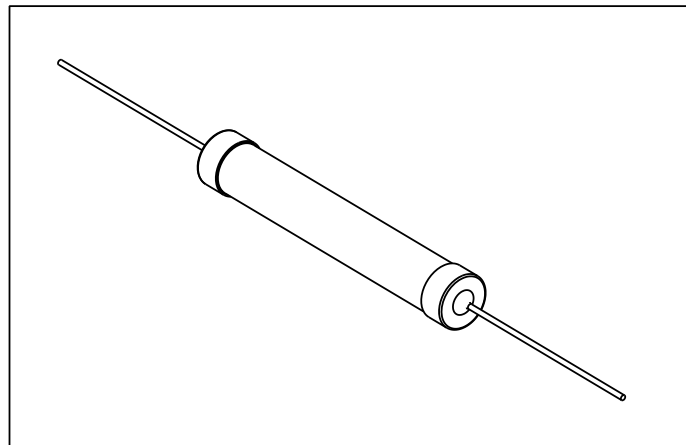
LOC	DIST	REVISIONS					
		P	LTR	DESCRIPTION	DATE	DWN	APVD
E	B		BA1	NOTE 2 ADDED	30NOV2010	PT	St.P

NOTES:

1. FOR FURTHER INFORMATION SEE DATA SHEET FOR C SERIES-HIGH POWER RESISTORS.
2. WEIGHT 0.600 Kg PER 100 PIECES.



RoHS Compliant



2008
 RELEASED FOR PUBLICATION
 THIS DRAWING IS UNPUBLISHED.
 COPYRIGHT 2008 BY TYCO ELECTRONICS CORPORATION. ALL RIGHTS RESERVED.

DIMENSIONS: mm TOLERANCES UNLESS OTHERWISE SPECIFIED: 0 PLC ± 0.2 1 PLC ± 0.1 2 PLC \pm 3 PLC \pm 4 PLC \pm ANGLES $\pm 5^\circ$	DWN SUBHASH.M 16-Sep-08 CHK PRAKASH.S 16-Sep-08 APVD STEPHEN.P 16-Sep-08	MATERIAL - FINISH -
	PRODUCT SPEC - APPLICATION SPEC - WEIGHT -	Tyco Electronics Corporation Dorcan, Swindon, SN3 5HH NAME HIGH POWER RESISTORS SERIES C14 SIZE A4 CAGE CODE 00779 DRAWING NO C-1623774 RESTRICTED TO -
	CUSTOMER DRAWING SCALE 1:1 SHEET 1 OF 1 REV BA1	