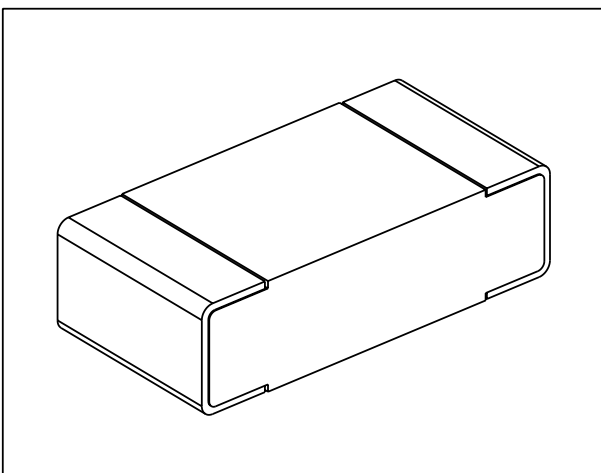
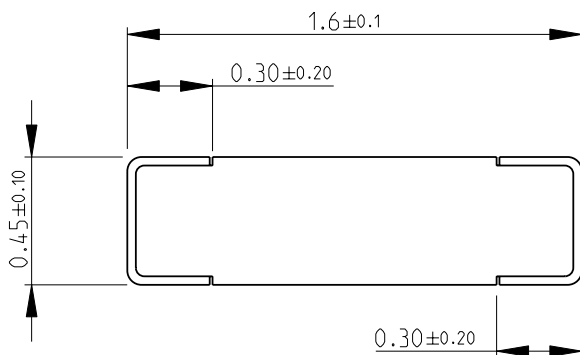
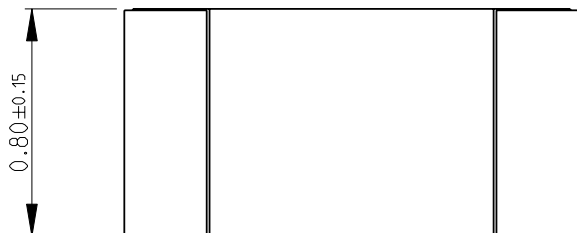


LOC	DIST	REVISIONS					
E	B	P	LTR	DESCRIPTION	DATE	DWN	APVD
			BA	NEW RELEASE	03-NOV-08	SM	St.P

FOR FURTHER INFORMATION SEE DATA SHEET FOR
CRG SERIES-THICK FILM CHIP RESISTORS




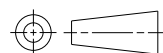
RoHS Compliant

2008

RELEASED FOR PUBLICATION

THIS DRAWING IS UNPUBLISHED.

© COPYRIGHT 2008 BY TYCO ELECTRONICS CORPORATION. ALL RIGHTS RESERVED.

DIMENSIONS: mm	DWN	SUBHASH.M	03-NOV-08	MATERIAL	-	FINISH	-	
	CHK	PRAKASH.S	03-NOV-08	 Tyco Electronics Corporation Dorcan, Swindon, SN3 5HH				
TOLERANCES UNLESS OTHERWISE SPECIFIED:	APVD	STEPHEN.P	03-NOV-08					
0 PLC ±0.5	PRODUCT SPEC			NAME				
1 PLC ±0.2	-			THICK FILM CHIP RESISTORS				
2 PLC ±0.1	APPLICATION SPEC			SERIES CRG 0603				
3 PLC ±-	-			SIZE	CAGE CODE	DRAWING NO	RESTRICTED TO	
4 PLC ±-	-			A 4	00779	© = 1622886	-	
ANGLES ±5°	WEIGHT			CUSTOMER DRAWING				
			SCALE		40:1	SHEET	1 OF 1	
					REV			BA