

4

3

2

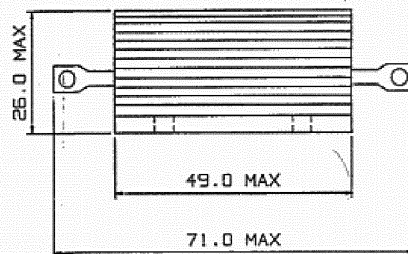
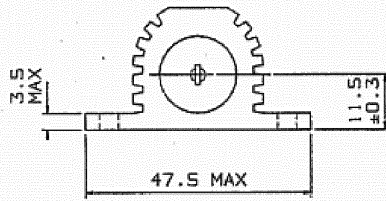
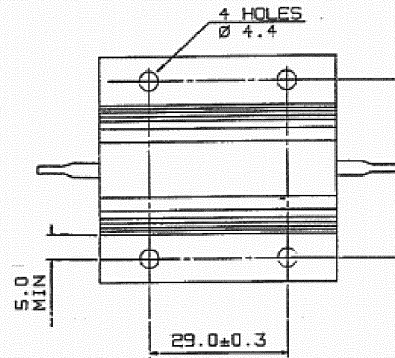
1

THIS DRAWING IS UNPUBLISHED. RELEASED FOR PUBLICATION
 © COPYRIGHT - By - ALL RIGHTS RESERVED.

LOC	DIST	REVISIONS			
P	LTR	DESCRIPTION	DATE	DWN	APVD
A1		REVISED PER ECO-11-005150	21MAR11	RK	HMR

TECHNICAL SPECIFICATION

DISSIPATION AT 25°C 75 WATTS MOUNTED
 OHMIC RANGE ON STD HEATSINK
 R10 TO 50K
 STABILITY ΔR ≤2%
 per 1000hrs
 ISOLATION VOLTAGE 3500v DC/AC pk
 MAX WORKING VOLTAGE 1400V DC/AC rms
 TEMP COEFFICIENT >1R0 50ppm
 >100R 25ppm
 CLIMATIC CATEGORY 55/200/S6



NOTE:
 1) FOR A SPECIFIC PN FOR A RESISTANCE VALUE
 AND TOLERANCE, PLEASE REFER TO DMF.

RoHS Compliant

THIS DRAWING IS A CONTROLLED DOCUMENT.		DWN 03JUN08 PRAKASH KANNIAH	TE Connectivity THS75 METAL CLAD RESISTOR				
DIMENSIONS: mm		CHK 03JUN08 R BLANCH			APVD 03JUN08 J CATCHPOLE		
TOLERANCES UNLESS OTHERWISE SPECIFIED: 0 PLC ± - 1 PLC ± - - 2 PLC ± - - - 3 PLC ± - - - - 4 PLC ± - - - - - ANGLES ± -		NAME	SIZE	CAGE CODE	DRAWING NO	RESTRICTED TO	
MATERIAL		APPLICATION SPEC	A3	00779	1879363	-	
FINISH		WEIGHT	CUSTOMER DRAWING		SCALE NTS	SHEET 1 of 1	REV A1