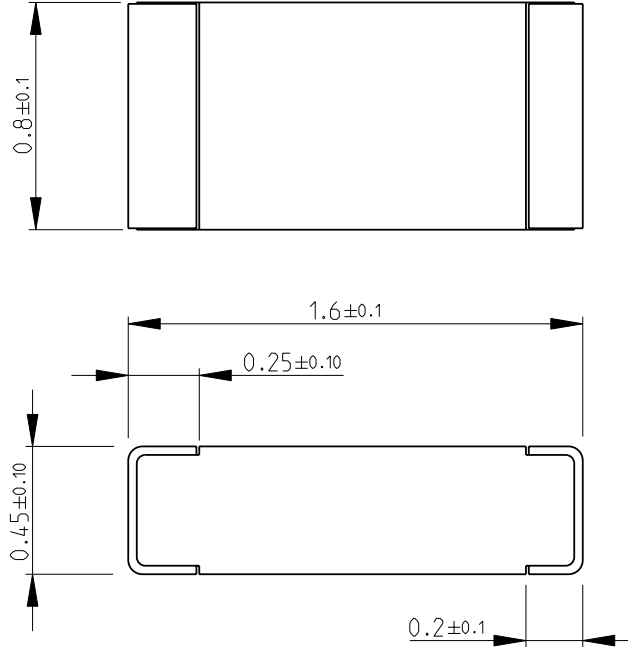
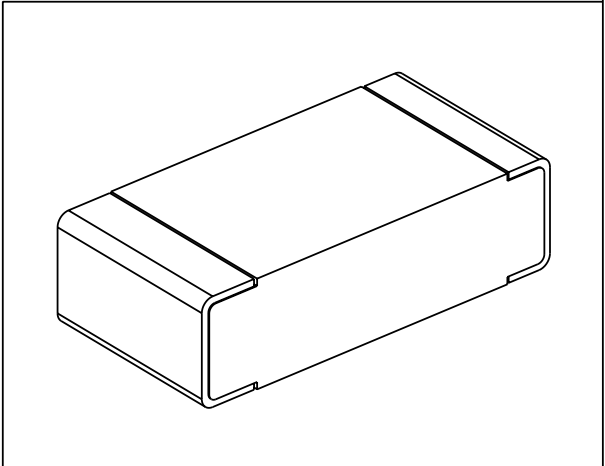


LOC	DIST	REVISIONS					
E	B	P	LTR	DESCRIPTION	DATE	DWN	APVD
				BA1 REVISED PER ECO-11-005150	29MAR2011	RK	HMR

FOR FURTHER INFORMATION SEE DATA SHEET FOR CPF SERIES-THIN FILM PRECISION CHIP RESISTORS



RoHS Compliant



2008

RELEASED FOR PUBLICATION

ALL RIGHTS RESERVED.

THIS DRAWING IS UNPUBLISHED.

© COPYRIGHT 2008

DIMENSIONS:		DWN	29-Sep-08	MATERIAL	-	FINISH	-
mm		CHK	29-Sep-08				
TOLERANCES UNLESS OTHERWISE SPECIFIED:		APVD	29-Sep-08				
0 PLC	± 0.2	PRODUCT SPEC	-				
1 PLC	± 0.1	APPLICATION SPEC	-	NAME THIN FILM PRECISION CHIP RESISTORS SERIES CPF 0603			
2 PLC	± -	WEIGHT	-	SIZE	A 4	CAGE CODE	00779
3 PLC	± -	CUSTOMER DRAWING		DRAWING NO	C= 1879338		RESTRICTED TO
4 PLC	± -			SCALE	40:1	SHEET	1 OF 1
ANGLES	± 5°			REV	BA1		