

4

3

2

1

THIS DRAWING IS UNPUBLISHED. RELEASED FOR PUBLICATION SEP. 2005  
 © COPYRIGHT 2005 BY - ALL RIGHTS RESERVED.

LOC	DIST	REVISIONS				
P	LTR	DESCRIPTION	DATE	DNW	APVD	
E	B	A2	REVISED PER ECO-11-005150	29MAR2011	RK	HMR

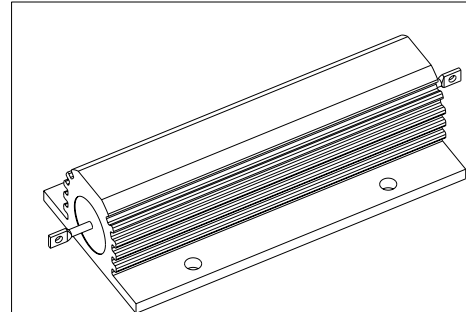
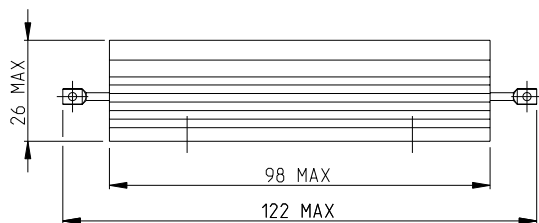
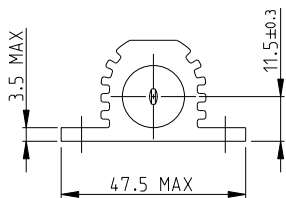
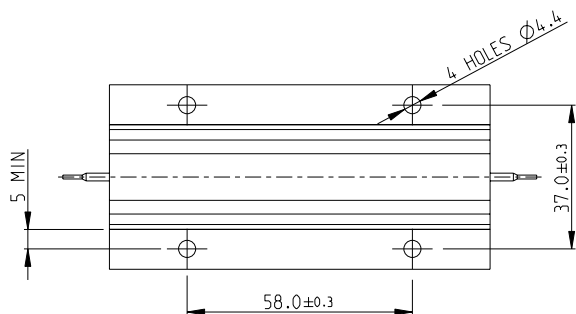
1 FOR FURTHER INFORMATION SEE DATA SHEET FOR HS SERIES-ALUMINIUM HOUSED RESISTORS

2 FOR A SPECIFIC PN FOR A RESISTANCE VALUE AND TOLERANCE, PLEASE REFER TO DMF

3 TECHNICAL SPECIFICATION

DISSIPATION AT 25°C : 150 WATTS MOUNTED ON STD HEATSINK  
 OHMIC RANGE : R10 TO 100K  
 STABILITY :  $\Delta R < = 2\%$  PER 1000hrs  
 ISOLATION VOLTAGE : 3500V DC/AC pk  
 MAX WORKING VOLTAGE : 2500V DC/AC rms  
 TEMPERATURE COEFFICIENT :  $> 1R0$  50ppm  
 $> 100R$  25ppm  
 CLIMATIC CATEGORY : 55/200/56

RoHS Compliant



THIS DRAWING IS A CONTROLLED DOCUMENT.

DIMENSIONS:	TOLERANCES UNLESS OTHERWISE SPECIFIED:
mm	0 PLC ±0.5
	1 PLC ±0.2
	2 PLC ±0.1
	3 PLC ±
	4 PLC ±
	ANGLES ±°

MATERIAL	FINISH
-	-

OWN	28.SEP.05
CHK	DAVE KENNEDY
J	28.SEP.05
APVD	J CATCHPOLE
PRODUCT SPEC	J CATCHPOLE
APPLICATION SPEC	
WEIGHT	
CUSTOMER DRAWING	

TE Connectivity		NAME		HSC150	
		PRODUCT SPEC		-	
SIZE	CAGE CODE	DRAWING NO	RESTRICTED TO		
A3	00779	C-1630012	-		
SCALE		1:1	SHEET	1	OF 1
REV		A2			

1470-19 (3/11)

Pro/ENGINEER DRAWING