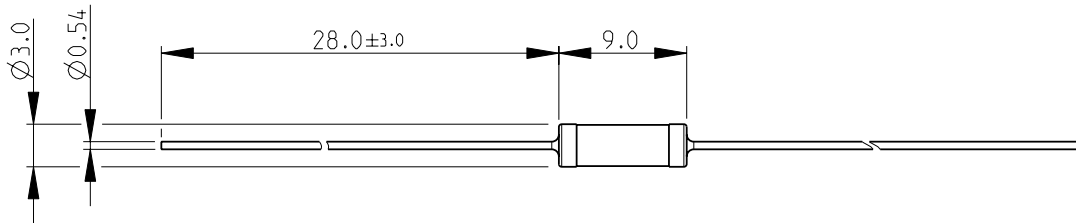
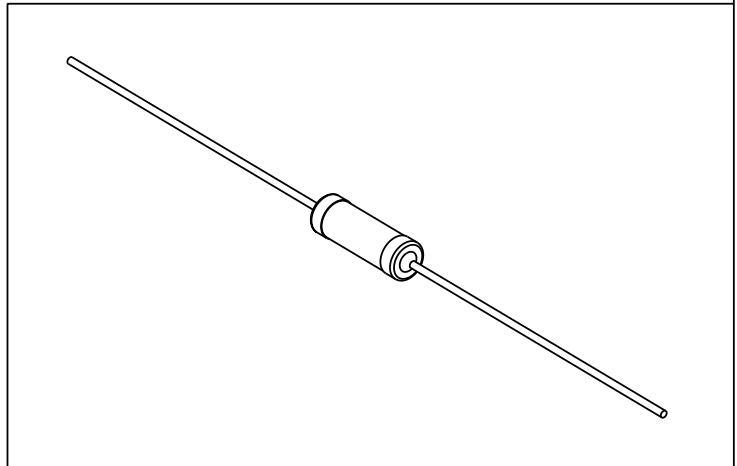


LOC	DIST	REVISIONS					
E	B	P	LTR	DESCRIPTION	DATE	DWN	APVD
			BA1	REVISED PER ECO-11-005150	29MAR2011	RK	HMR

FOR FURTHER INFORMATION SEE DATA SHEET FOR
CFR SERIES-CARBON FILM FIXED RESISTORS



RoHS Compliant



2008

RELEASED FOR PUBLICATION

ALL RIGHTS RESERVED.

BY -

2008

THIS DRAWING IS UNPUBLISHED.

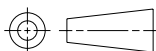


DIMENSIONS:

mm

TOLERANCES UNLESS OTHERWISE SPECIFIED:

- 0 PLC ±0.2
- 1 PLC ±0.1
- 2 PLC ±-
- 3 PLC ±-
- 4 PLC ±-
- ANGLES ±5°



DWN SUBHASH.M 20-Sep-08

CHK PRAKASH.S 20-Sep-08

APVD STEPHEN.P 20-Sep-08

PRODUCT SPEC -

APPLICATION SPEC -

WEIGHT -

MATERIAL -

FINISH -



TE Connectivity

NAME CARBON FILM FIXED RESISTORS
SERIES CFR50

SIZE	CAGE CODE	DRAWING NO	RESTRICTED TO
A 4	00779	©= 1623932	-

CUSTOMER DRAWING

SCALE 2:1 SHEET 1 OF 1 REV BA1