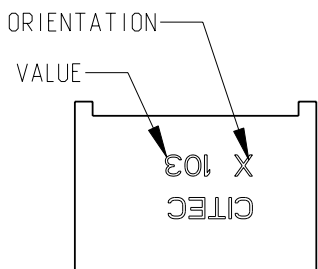
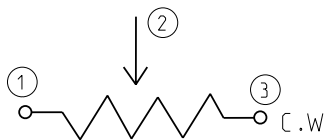


LOC	DIST	REVISIONS					
E	B	P	LTR	DESCRIPTION	DATE	DWN	APVD
			BA	NEW RELEASE	25NOV09	MRS	St.P

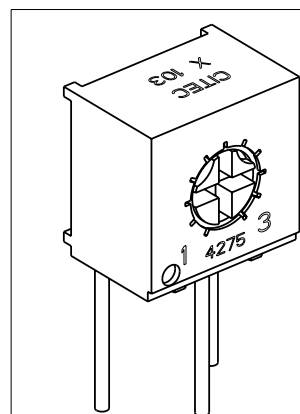
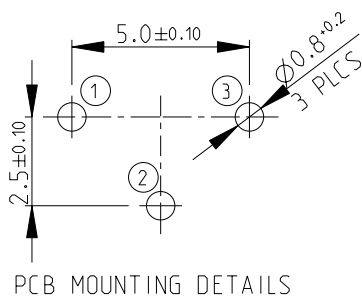
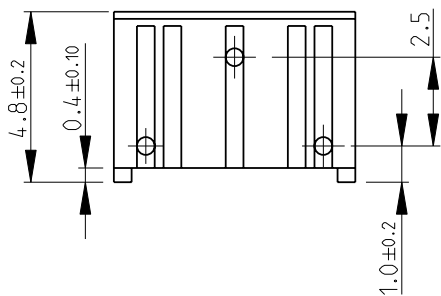
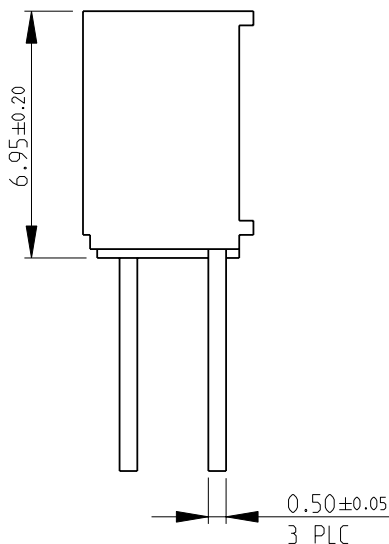
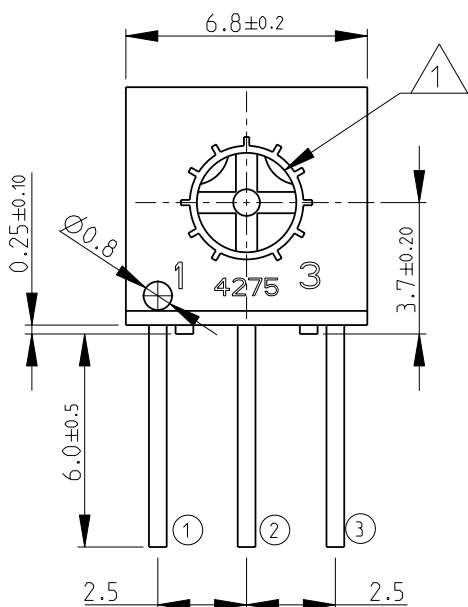


1 SIDE ADJUSTMENT SLOT:
Length- 2.8 ± 0.2 , Width- 0.6 ± 0.1 , Depth- 0.9 ± 0.1

2 FOR FURTHER INFORMATION SEE DATA SHEET
FOR 4275 SERIES-PROFESSIONAL TRIMMERS



CIRCUIT DIAGRAM



RoHS Compliant

2009

RELEASED FOR PUBLICATION

THIS DRAWING IS UNPUBLISHED.

BY TYCO ELECTRONICS CORPORATION. ALL RIGHTS RESERVED.

© COPYRIGHT 2009

DIMENSIONS: mm	DWN	MAHARUDRA	25NOV09	MATERIAL	-	FINISH	-
	CHK	ALLAN.P	25NOV09	Tyco Electronics Corporation Dorcan, Swindon, SN3 5HH			
TOLERANCES UNLESS OTHERWISE SPECIFIED:	APVD	STEPHEN.P	25NOV09				
0 PLC ±0.2	PRODUCT SPEC	-	NAME	PROFESSIONAL TRIMMERS SERIES 4275X			
1 PLC ±0.1	APPLICATION SPEC	-	SIZE	CAGE CODE	DRAWING NO	RESTRICTED TO	
2 PLC ±			A 4	00779	©=1623902		
3 PLC ±			CUSTOMER DRAWING				
4 PLC ±	WEIGHT	-	SCALE	5:1	SHEET	1 OF 1	REV
ANGLES ±5°							BA