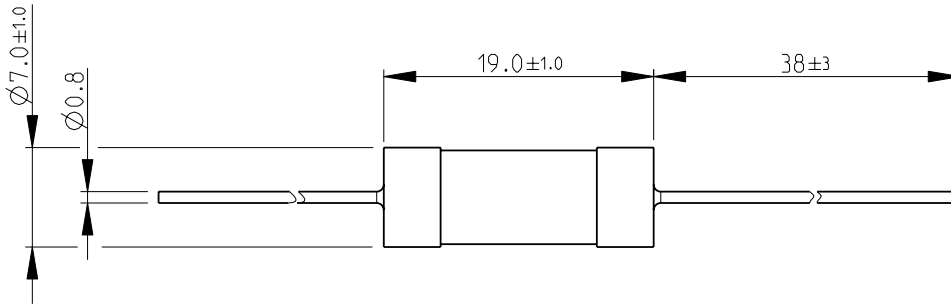
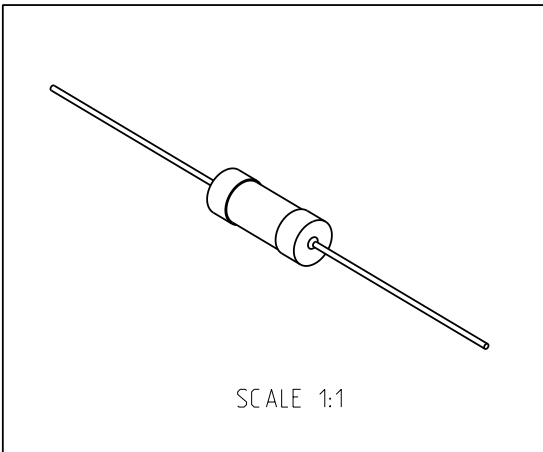


LOC	DIST	REVISIONS				
P	LTR	DESCRIPTION	DATE	DWN	APVD	
E	B	BA1	REVISED PER ECO-11-005150	29MAR2011	RK	HMR

FOR FURTHER INFORMATION SEE DATA SHEET FOR CCR SERIES-CERAMIC COMPOSITION RESISTORS



RoHS Compliant



2008

RELEASED FOR PUBLICATION

ALL RIGHTS RESERVED.

THIS DRAWING IS UNPUBLISHED.

© COPYRIGHT 2008

DIMENSIONS: mm	DWN	19-Sep-08	MATERIAL	-	FINISH	-
	CHK	19-Sep-08				
TOLERANCES UNLESS OTHERWISE SPECIFIED:	APVD	19-Sep-08				
0 PLC ±0.2	PRODUCT SPEC	-	NAME CERAMIC COMPOSITION RESISTORS SERIES CCR2			
1 PLC ±0.1	APPLICATION SPEC	-	SIZE	CAGE CODE	DRAWING NO	RESTRICTED TO
2 PLC ±	WEIGHT	-	A 4	00779	©=1623720	-
3 PLC ±	CUSTOMER DRAWING					
4 PLC ±	SCALE 2:1			SHEET 1 OF 1		REV BA1
ANGLES ±5°						