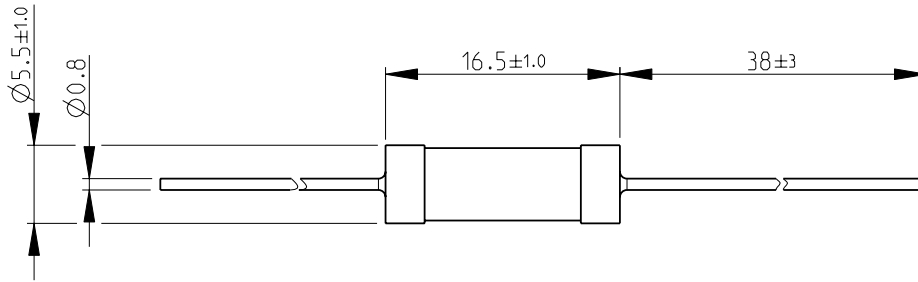
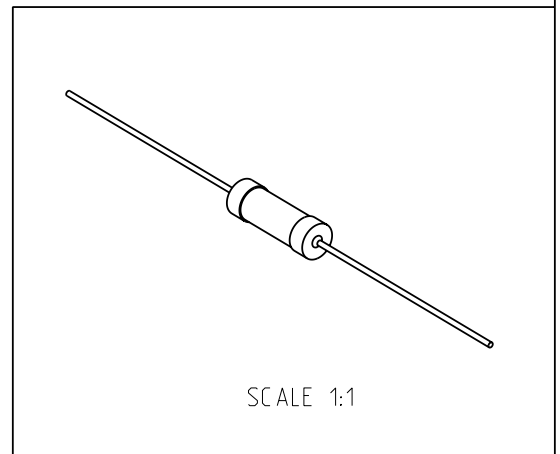


LOC	DIST	REVISIONS					
		P	LTR	DESCRIPTION	DATE	DWN	APVD
E	B		BA	NEW RELEASE	18-NOV-08	SM	St.P

FOR FURTHER INFORMATION SEE DATA SHEET FOR  
CCR SERIES-CERAMIC COMPOSITION RESISTORS



RoHS Compliant



2008

RELEASED FOR PUBLICATION

THIS DRAWING IS UNPUBLISHED.

© COPYRIGHT 2008 BY TYCO ELECTRONICS CORPORATION. ALL RIGHTS RESERVED.

DIMENSIONS: mm	DWN	18-NOV-08	MATERIAL	-	FINISH	-	
	CHK	18-NOV-08	Tyco Electronics Corporation Dorcan, Swindon, SN3 5HH				
TOLERANCES UNLESS OTHERWISE SPECIFIED:	APVD	18-NOV-08					
	0 PLC	$\pm 0.2$	NAME	CERAMIC COMPOSITION RESISTORS SERIES CCR1			
1 PLC	$\pm 0.1$	PRODUCT SPEC	-	SIZE	CAGE CODE	DRAWING NO	RESTRICTED TO
2 PLC	$\pm$	APPLICATION SPEC	-	A 4	00779	©=1623719	-
3 PLC	$\pm$	WEIGHT	-	CUSTOMER DRAWING			SCALE
4 PLC	$\pm$						2:1
ANGLES	$\pm 5^\circ$						SHEET
							1
							OF
							1
							REV
							BA