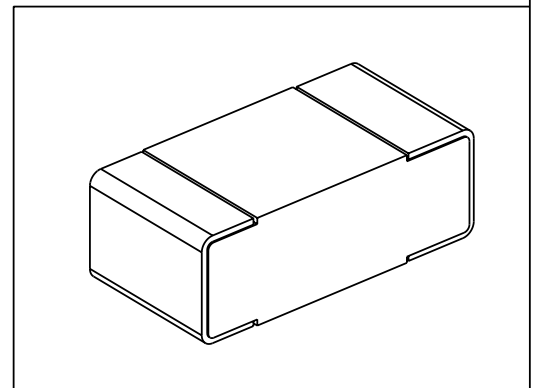
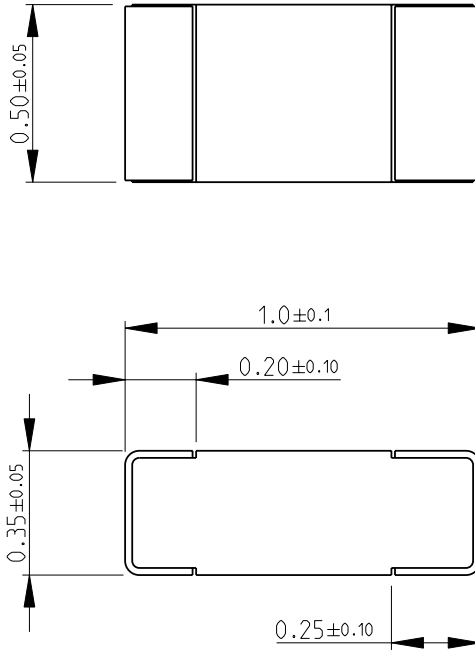


LOC	DIST	REVISIONS				
P	LTR	DESCRIPTION	DATE	DWN	APVD	
E	B	BA1	REVISED PER ECO-11-005150	29MAR2011	RK	HMR

FOR FURTHER INFORMATION SEE DATA SHEET FOR
CRG SERIES-THICK FILM CHIP RESISTORS



RoHS Compliant

2008

RELEASED FOR PUBLICATION

ALL RIGHTS RESERVED.

BY -

© COPYRIGHT 2008

THIS DRAWING IS UNPUBLISHED.

DIMENSIONS: mm	DWN	SUBHASH.M	06-Oct-08	MATERIAL	-	FINISH	-
	CHK	PRAKASH.S	06-Oct-08				
TOLERANCES UNLESS OTHERWISE SPECIFIED:	APVD	STEPHEN.P	06-Oct-08				
0 PLC ± 0.5	PRODUCT SPEC	-	NAME	THICK FILM CHIP RESISTORS			
1 PLC ± 0.2	APPLICATION SPEC	-	SIZE	CAGE CODE	DRAWING NO	RESTRICTED TO	
2 PLC ± 0.1	WEIGHT	-	A 4	00779	© = 1622826	-	
3 PLC ± -	CUSTOMER DRAWING			SCALE	50:1	SHEET	1 OF 1
4 PLC ± -						REV	BA1
ANGLES ± 5°							

