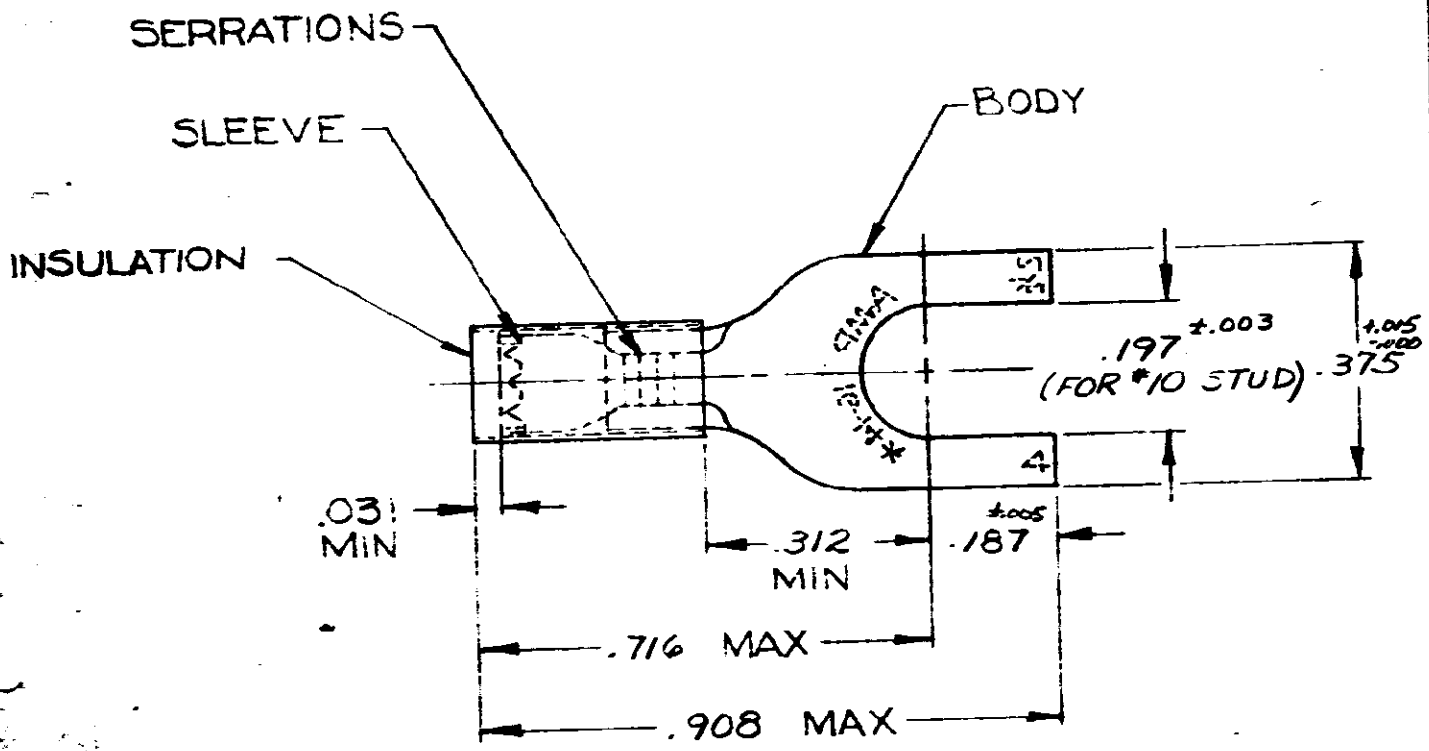


MADE IN AMERICAN PROJECTION


LOC 14 0
G 14 0

© 1965 BY AMP INCORPORATED. ALL RIGHTS RESERVED. AMP PRODUCTS COVERED BY PATENTS AND/OR PATENTS PENDING.

REVISIONS			
LTR	DESCRIPTION	DATE	APPROVED
A	REDRAWN, REVISED (ADDED TAPE NO. P-6079)	3-16-70	RCY
B	INACTIVATED 2--1 PER ECU P-9260	PMF 11/9/62	PMF
C	OBS. 2--1 G2591	RT 10-19-87	PMF
D	REV PER G-4732	JT 7/2/88	JT



TONGUE MATERIAL THK = .031 ±.002
FOR .105 TO .150 WIRE INSULATION DIA

32057	32057	OBSOLETE	BODY: COPPER (QQ-C-576) TIN PL (MIL-T-10727)		
ON TAPE			SLEEVE: COPPER (QQ-C-576) INSULATION: NYLON COLOR: BLUE		
1	WIRE TERMINAL	32057	MATERIAL & FINISH		
QTY	DESCRIPTION	PART NO			
UNLESS OTHERWISE SPECIFIED DIMENSIONS ARE IN INCHES TOLERANCES ON: DECIMALS ±.008 ANGLES ± 5°		CONTRACT NO. #	 AMP INCORPORATED HARRISBURG, PENNSYLVANIA		
MATERIAL		DR <i>Am Enam</i> 3-12-70 CHK <i>RCY</i> 3-16-70 APPD <i>Swad</i> 3-16-70 REL <i>RCY</i> 3-17-70		NAME WIRE TERMINAL P.I.D.G. - SPADE WIRE SIZE: 16-14	
SEE TABLE		DSGN APPD	SIZE A	CODE IDENT NO. 00779	NUMBER 32057
		OTHER APPD	SCALE	NTS	