

4

3

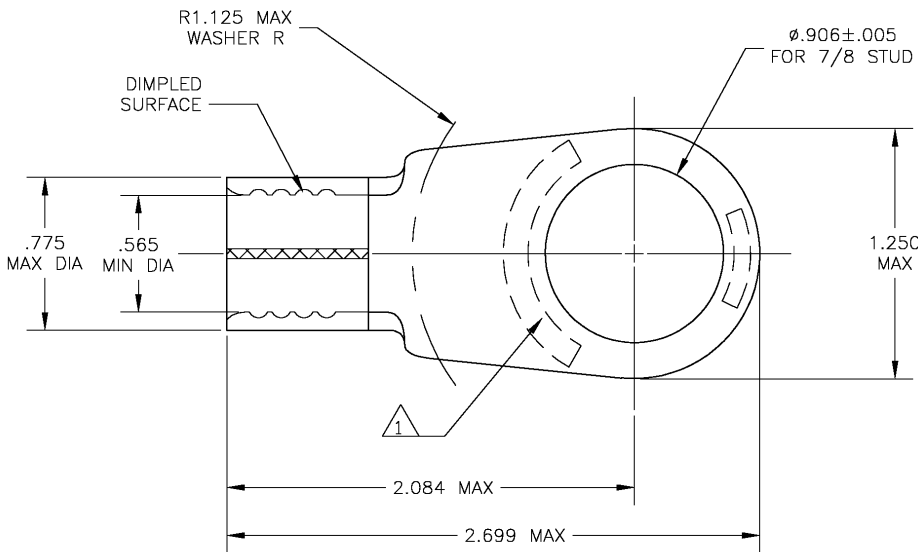
2

1

THIS DRAWING IS UNPUBLISHED. RELEASED FOR PUBLICATION
 © COPYRIGHT BY TYCO ELECTRONICS CORPORATION. ALL RIGHTS RESERVED.

LOC	DIST	REVISIONS			
P	LTR	DESCRIPTION	DATE	DWN	APVD
G	14	C	REDRAWN PER 0G3A-0709-03	07NOV03	JR MS

- 1 STAMP *AMP 3/0 W* 150" APPROX AS SHOWN ON BOTTOM
- 2 COPPER, .091±.003 THK, PER ASTM B-152, ANNEALED
- 3 TIN PLATE PER ASTM B-545
- 4 FOREIGN PRODUCTION ONLY



322221-0
 PART NO

THIS DRAWING IS A CONTROLLED DOCUMENT.		DWN jr ruth 07NOV03	 Tyco Electronics Corporation Harrisburg, PA 17105	
DIMENSIONS: INCHES	TOLERANCES UNLESS OTHERWISE SPECIFIED:	CHK MJ SPICER 07NOV03	APVD MJ SPICER 07NOV03	NAME
0 PLC ± -	1 PLC ± -	PRODUCT SPEC	---	WIRE TERMINAL
2 PLC ± -	3 PLC ± .008	APPLICATION SPEC	---	SOLISTRAND, RING TONGUE,
4 PLC ± -	ANGLES ± 5°	WEIGHT	---	WIRE SIZE: 3/0
MATERIAL	FINISH	SIZE	CAGE CODE	DRAWING NO
- 2	- 3	A3	00779	C-322221
CUSTOMER DRAWING			SCALE	SHEET
			2:1	1 OF 1
			REV	C

AMP 1470-19 REV 31MAR2000

C:\ENGapps\TECacad\4.0\bin\