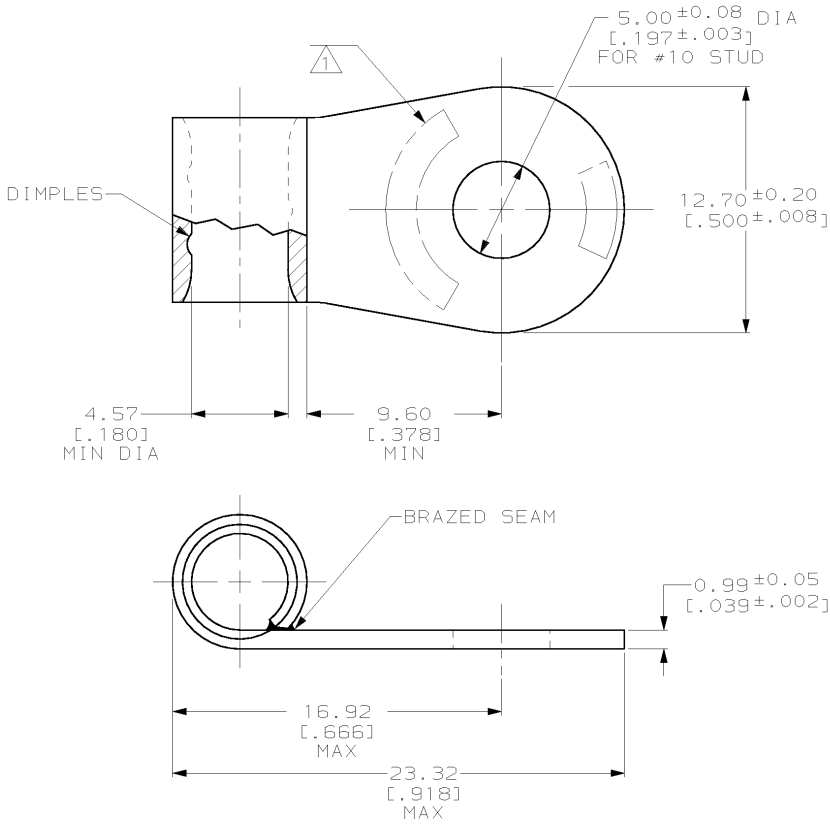


THIS DRAWING IS UNPUBLISHED. RELEASED FOR PUBLICATION .19
 © COPYRIGHT 19 BY AMP INCORPORATED. ALL RIGHTS RESERVED.

LOC	DIST	REVISIONS				
P	LTR	DESCRIPTION	DATE	DWN	APVD	
G	14	J	ADD -1 PER 0610-0070-99	16JUN99	JR	MJS



AMP WIRE RANGE	UL E13288 Listed
8 AWG SOLID OR STRANDED	8 AWG STRANDED
SF LR7189 Certified	
8 AWG SOLID OR STRANDED	

- ① STAMP AMP 8W* 14 APPROX AS SHOWN
- ② TIN PLATE 0.00254 [0.000100] MIN THK PER ASTM B-545
- ③ GOLD PLATE 0.00127 [0.000050] MIN THK PER ASTM B-488, TYPE 2, GRADE C OVER NICKEL PLATE 0.00076 [0.000030] MIN THK PER QQ-N-290.

①	321441-1
②	321441
FINISH	AMP PART NUMBER

AMP INCORPORATED CUSTOMER SERVICE SYSTEMS		THIS DRAWING IS A CONTROLLED DOCUMENT FOR AMP INCORPORATED. IT IS SUBJECT TO CHANGE AND THE CONTROLLING ENGINEERING ORGANIZATION SHOULD BE CONTACTED FOR THE LATEST REVISION.		DWN DK SCHRUM 170CT97	AMP AMP Incorporated Harrisburg, PA 17105-3608
FOR ADDITIONAL PRODUCT INFORMATION OR COPIES OF DRAWINGS AND TECHNICAL DOCUMENTS	PRODUCT INFORMATION CENTER 1-800-522-6752	RECOMMENDED OPERATING TEMPERATURE: 170°C MAX	DIMENSIONS: mm (INCHES)	CHK MJ SPICER 200CT97	
FOR APPLICATION TOOLING INFORMATION	TOOLING ASSISTANCE CENTER 1-800-722-1111	VOLTAGE RATING: NOT APPLICABLE	TOLERANCES UNLESS OTHERWISE SPECIFIED: 0 PLC ±- 1 PLC ±- 2 PLC ±0.20 (0.008) 3 PLC ±- 4 PLC ±- ANGLES ±-	APVD JL MECKLEY 200CT97	NAME TERMINAL, RING TONGUE, FLAG, SOLISTRAND™
FOR ORDER ENTRY	1-800-526-5142	WIRE CROSS SECTIONAL AREA RANGE: 6.64-10.5mm² [13,100-20,800] CIR MILS SOLID OR STRANDED	MATERIAL COPPER PER ASTM B-152 ANNEALED	FINISH SEE TABLE	PRODUCT SPEC - APPLICATION SPEC - WEIGHT -
AMP 1470-19 REV 09MAY94		FINISH SEE TABLE		SIZE A3	CAGE CODE 00779
16-JUN-99 11:23:14 amp13469 /home/amp13469/edmod		CUSTOMER DRAWING		DRAWING NO C-321441	SCALE 5:1
				SHEET 1 OF 1	REV J