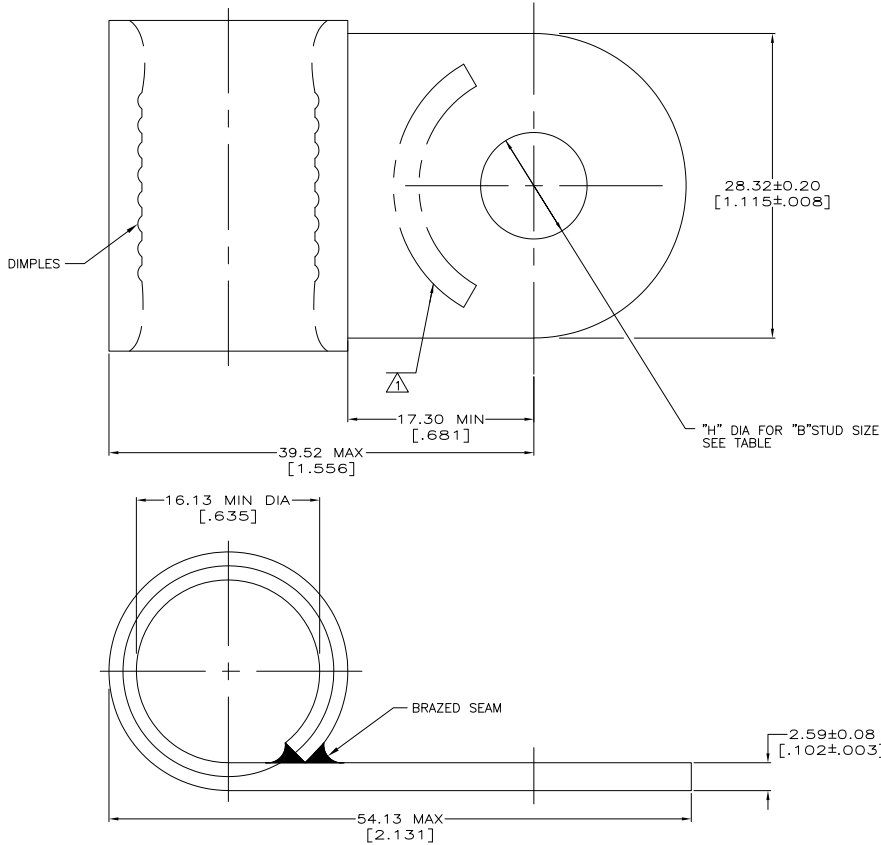


THIS DRAWING IS UNPUBLISHED. RELEASED FOR PUBLICATION. ALL RIGHTS RESERVED.

REV	DATE	DESCRIPTION	BY	APP'D
1	E1	REVISED PER ECO-12-003798		
			KH	DR



WIRE RANGE	Listed FILE E13288	LR7189 Certified
4/0 AWG SOLID OR STRANDED	4/0 AWG STRANDED	4/0 AWG SOLID OR STRANDED

- STAMP AMP 4/0W* APPROX AS SHOWN
- COPPER PER ASTM B-152, ANNEALED
- 0.00254 [.000100] MIN TIN PER ASTM B-545

3/8	9.91±0.20 [.390±.008]	321277-1
M8[5/16]	8.33±0.20 [.328±.008]	321277
STUD SIZE "B"	"H" DIA	PART NO

AMP INCORPORATED CUSTOMER SERVICE SYSTEMS

FOR ADDITIONAL PRODUCT INFORMATION OR COPIES OF DRAWINGS AND TECHNICAL DOCUMENTS	PRODUCT INFORMATION CENTER 1-800-522-6752	RECOMMENDED OPERATING TEMPERATURE: 170° C MAX
		VOLTAGE RATING: NOT APPLICABLE
FOR APPLICATION TOOLING INFORMATION	TOOLING ASSISTANCE CENTER 1-800-722-1111	WIRE CROSS SECTIONAL AREA RANGE: 96.3-117mm ² [190,000-231,000] CIR MILS SOLID OR STRANDED
FOR ORDER ENTRY	1-800-526-5142	

THIS DRAWING IS A CONTROLLED DOCUMENT.		DA BRINKMAN 4-8-93	TE Connectivity	
DA PATTERSON 4-8-93		DA PATTERSON 4-8-93	TERMINAL, RING TONGUE, FLAG, SOLISTRAND	
DA PATTERSON 4-8-93		DA PATTERSON 4-8-93	APPLICATION SPEC	
MATERIAL		FINISH	SIZE	WEIGHT
-		-	A2	00779
CUSTOMER DRAWING		SCALE	SHEET	REV
		4:1	1 of 1	E1

1471-9 (5/11)

321277

A