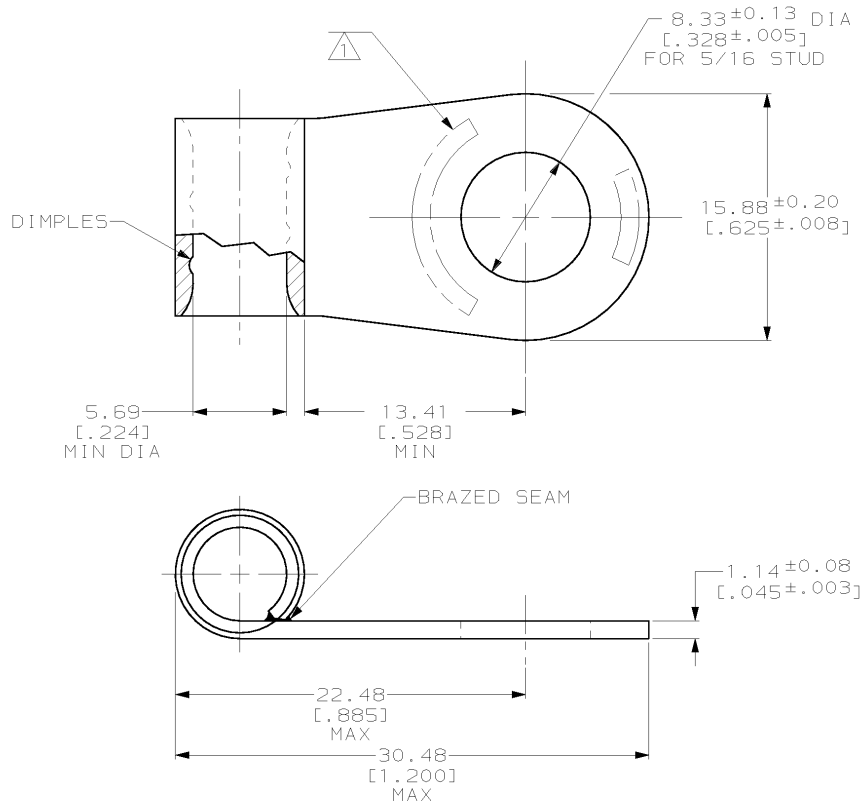


THIS DRAWING IS UNPUBLISHED. RELEASED FOR PUBLICATION .19  
 © COPYRIGHT 19 BY AMP INCORPORATED. ALL RIGHTS RESERVED.

LOC	DIST	REVISIONS				
P	LTR	DESCRIPTION	DATE	DWN	APVD	
G	14	C	REVISED PER 0L20-0223-97	100CT97	DKS	MJS



<b>AMP</b> WIRE RANGE	<b>UL</b> E13288 Listed
6 AWG SOLID OR STRANDED	6 AWG STRANDED
<b>SP</b> LR7189 Certified	MILITARY P/N AND CLASS
6 AWG SOLID OR STRANDED	NOT APPLICABLE

1 STAMP AMP 6W\* 23-30 APPROX AS SHOWN

321056  
AMP  
PART NUMBER

<b>AMP INCORPORATED CUSTOMER SERVICE SYSTEMS</b>		THIS DRAWING IS A CONTROLLED DOCUMENT FOR AMP INCORPORATED. IT IS SUBJECT TO CHANGE AND THE CONTROLLING ENGINEERING ORGANIZATION SHALL BE CONTACTED FOR THE LATEST REVISION.		DWN DK SCHRUM 100CT97	<b>AMP</b> AMP Incorporated Harrisburg, PA 17105-3608
FOR ADDITIONAL PRODUCT INFORMATION OR COPIES OF DRAWINGS AND TECHNICAL DOCUMENTS	PRODUCT INFORMATION CENTER 1-800-522-6752	RECOMMENDED OPERATING TEMPERATURE: 170°C MAX	DIMENSIONS: mm [INCHES]	CHK MJ SPICER 130CT97	
FOR APPLICATION TOOLING INFORMATION	TOOLING ASSISTANCE CENTER 1-800-722-1111	VOLTAGE RATING: NOT APPLICABLE	TOLERANCES UNLESS OTHERWISE SPECIFIED:	APVD JL MECKLEY 130CT97	NAME TERMINAL, RING TONGUE, FLAG, SOLISTRAND™
FOR ORDER ENTRY	1-800-526-5142	WIRE CROSS SECTIONAL AREA RANGE: 10.5-16.8mm² [20,800-33,100] CIR MILS SOLID OR STRANDED	MATERIAL: COPPER PER ASTM B-152 ANNEALED	PRODUCT SPEC APPLICATION SPEC WEIGHT	SIZE A3
AMP 1470-19 REV 09MAY94		FINISH: TIN PLATE 0.00254 [0.000100] MIN THK PER ASTM B-545		CUSTOMER DRAWING	CAGE CODE 00779
10-OCT-97 13:29:47 amp26463 /ws/dept1123/dwg1123/u.solistrand/u.Flag		SCALE: 4:1		DRAWING NO C-321056	
				SHEET 1 OF 1 REV C	