

4

3

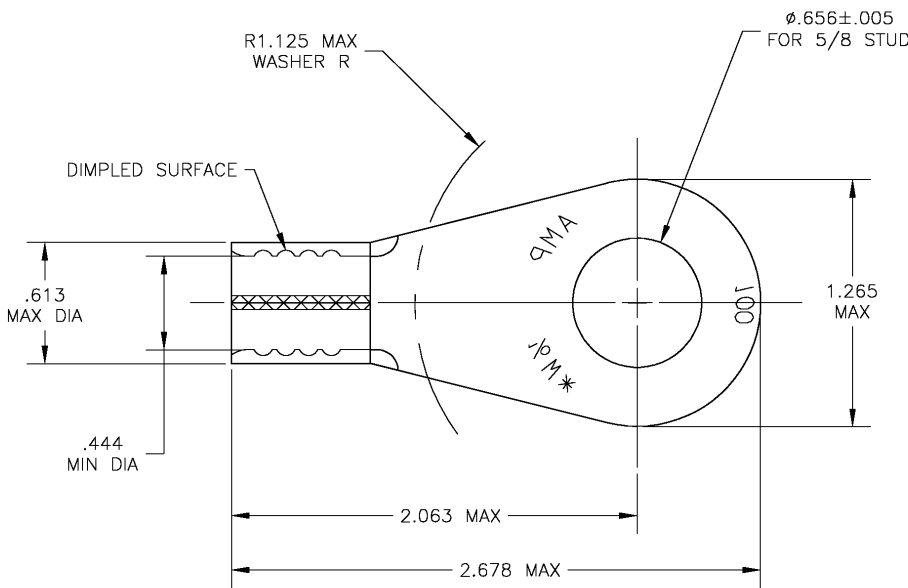
2

1

THIS DRAWING IS UNPUBLISHED. RELEASED FOR PUBLICATION
 © COPYRIGHT BY TYCO ELECTRONICS CORPORATION. ALL RIGHTS RESERVED.

LOC	DIST	REVISIONS			
P	LTR	DESCRIPTION	DATE	DWN	APVD
G	14	C	REDRAWN PER 0G3A-0603-03	03OCT03	JR MS

- 1 TONGUE THK IS .070±.003
- 2 TIN PLATE PER ASTM B 545 ANNEALED



320744-0

PART NO

THIS DRAWING IS A CONTROLLED DOCUMENT.		DWN jr_ruth 03OCT03	Tyco Electronics Corporation Harrisburg, PA 17105	
DIMENSIONS: INCHES		CHK MJ SPICER 03OCT03	NAME	
TOLERANCES UNLESS OTHERWISE SPECIFIED:		APVD MJ SPICER 03OCT03	TERMINAL, SOLISTRAND, RING TONGUE, WIRE SIZE : 1/0	
0 PLC ± -		PRODUCT SPEC	SIZE	CAGE CODE
1 PLC ± -		APPLICATION SPEC	A3	00779
2 PLC ± -		WEIGHT	DRAWING NO	
3 PLC ± .008		FINISH	C=320744	
4 PLC ± -		RESTRICTED TO	-	
ANGLES ± s'		CUSTOMER DRAWING	SCALE	2:1
MATERIAL COPPER ASTM B152	FINISH - 2	SHEET 1 OF 1 REV C		

AMP 1470-19 REV 31MAR2000

C:\ENGapps\TECacad\4.0\bin\