

4

3

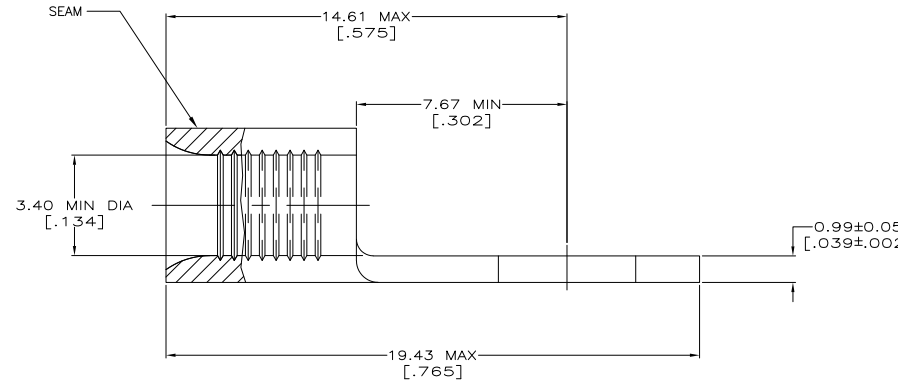
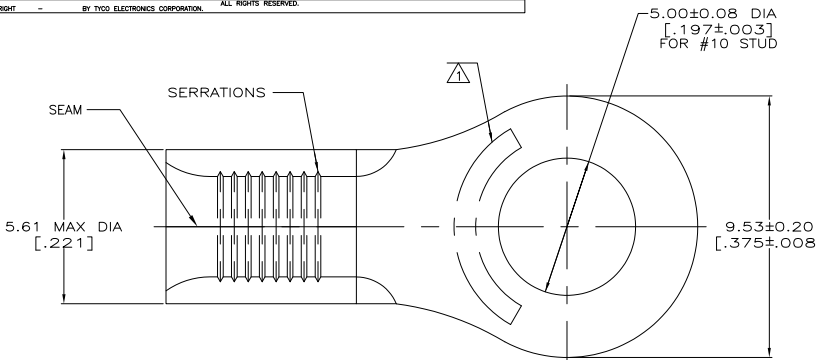
2

1

THIS DRAWING IS UNPUBLISHED. RELEASED FOR PUBLICATION
 © COPYRIGHT BY TYCO ELECTRONICS CORPORATION. ALL RIGHTS RESERVED.

| LOC | DIST | REV | DESCRIPTION | DATE | BY | APPD |
|-----|------|-----|-----------------------|---------|----|------|
| G | 14 | F1 | REV PER ECR 08-002293 | 25JAN08 | JR | TM |

| | |
|--------------------|--------------------|
| AMP WIRE RANGE | Listed FILE E13288 |
| 12-10 AWG STRANDED | 12-10 AWG STRANDED |



- △ STAMP AMP 12-10* APPROX AS SHOWN
- △ SEAM FACING UPWARD ON TAPE
- △ SEAM FACING DOWNWARD ON TAPE
- △ COPPER PER ASTM B-152, ANNEALED
- △ TIN PLATE 0.00254 [.000100] MIN THK PER ASTM B545

| | | |
|------|------------------|-----------|
| 50 | LOOSE PIECE, BOX | 8-31114-2 |
| 2500 | ON TAPE, REEL △ | 31114-3 |
| 2500 | ON TAPE, REEL △ | 31114-2 |
| - | LOOSE PIECE | 31114 |
| QTY | PACKAGE TYPE | PART NO. |

| | | | | | |
|--|--|---|--|--|---|
| AMP INCORPORATED CUSTOMER SERVICE SYSTEMS | | MAX RECOMMENDED OPERATING TEMPERATURE: 170°C MAX | THIS DRAWING IS A CONTROLLED DOCUMENT. | DR. TA BRINKMAN 2-8-93 CR. DA PATTERSON 2-8-93 DR. JIL MECKLEY 2-8-93 | Tyco Electronics Corporation Harrisburg, PA 17105-3608 |
| FOR ADDITIONAL PRODUCT INFORMATION OR COPIES OF DRAWINGS AND TECHNICAL DOCUMENTS 1-800-522-6752 | PRODUCT INFORMATION CENTER 1-800-522-6752 | VOLTAGE RATING: N/A | DIMENSIONS: MM [INCHES] | OTHER FINISHES: 0 PLG # - 1 PLG # - 2 PLG # - 3 PLG # - 4 PLG # - ANGLES # - | NAME TERMINAL, RING TONGUE, BUDGET |
| FOR APPLICATION TOOLING ASSISTANCE CENTER 1-800-722-1111 | TOOLING ASSISTANCE CENTER 1-800-722-1111 | CIRCULAR MIL AREA 2.62-8.64mm ² [5.180-13.100] STRANDED | MATERIAL - △ | FINISH - △ | APPLICATION SPEC PRODUCT SPEC WEIGHT SIZE CASE CODE DRAWING NO A2 00779 C=31114 |
| FOR ORDER ENTRY 1-800-526-5142 | THIS DRAWING IS A CONTROLLED DOCUMENT FOR AMP INCORPORATED. IT IS SUBJECT TO CHANGE AND THE CONTROLLING SUPERSEDING SUPERVISION SHOULD BE CONTACTED FOR THE LATEST REVISION. | | MATERIAL - △ | FINISH - △ | RESTRICTED TO CUSTOMER DRAWING SCALE 10:1 SHEET 1 of 1 REV F1 |

AMP 1471-9 REV 31MM2000

31114

A