

4

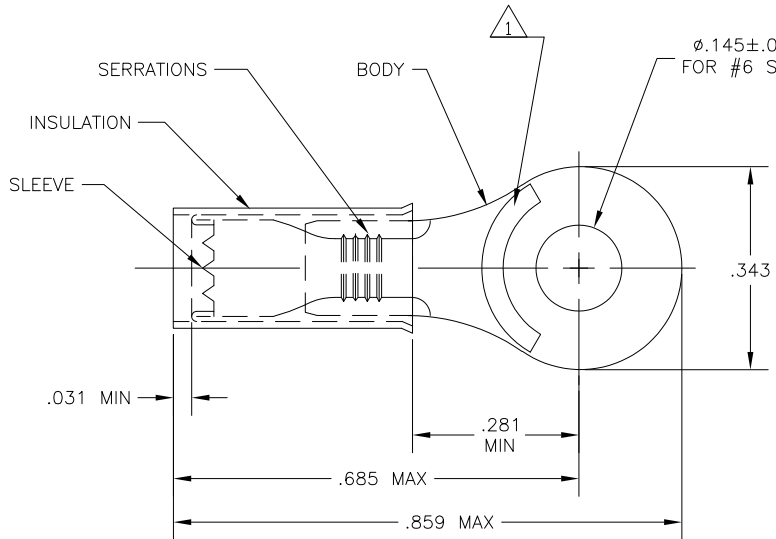
3

2

1

THIS DRAWING IS UNPUBLISHED. RELEASED FOR PUBLICATION
 © COPYRIGHT - By - ALL RIGHTS RESERVED.

LOC	DIST	REVISIONS			
P	LTR	DESCRIPTION	DATE	DWN	APVD
G	14				
	G2	REVISED PER ECO-11-005027	11MAR11	RK	HMR



- 1 STAMP MAY BE ON TOP OR BOTTOM
- 2 FOR .105 TO .150 WIRE INSULATION DIA.
- 3 MATERIAL TONGUE THK IS .031±.002

36157 ON TAPE	INSULATION: NYLON, COLOR BLUE BODY & SLEEVE:	2-36157-2
WIRE TERMINAL	COPPER PER ASTM B152 TIN PLATE PER ASTM B545	36157
DESCRIPTION	MATERIAL	PART NO

THIS DRAWING IS A CONTROLLED DOCUMENT.

DIMENSIONS: INCHES	TOLERANCES UNLESS OTHERWISE SPECIFIED:	DWN jr_ruth 17MAR09	TE Connectivity	
	0 PLC ± -	CHK TOM MICHELUTTI 17MAR09	STE TE Connectivity NAME TOM MICHELUTTI PRODUCT SPEC APPLICATION SPEC WEIGHT SIZE CAGE CODE DRAWING NO RESTRICTED TO	
	1 PLC ± -	APVD TOM MICHELUTTI 17MAR09		
	2 PLC ± -			
	3 PLC ± .008			
4 PLC ± -	± 5°			
MATERIAL SEE TABLE	FINISH SEE TABLE		A.3	00779
			C=36157	
			CUSTOMER DRAWING	SCALE 8:1 SHEET 1 of 1 REV G2