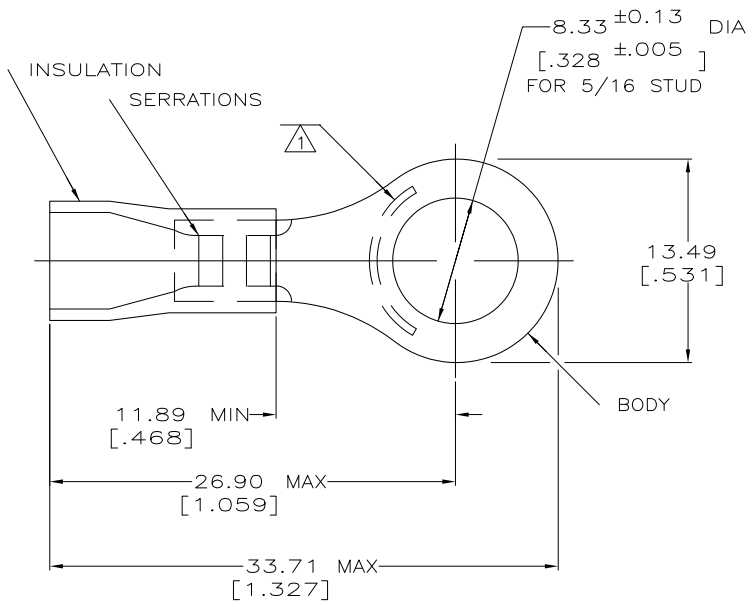


THIS DRAWING IS UNPUBLISHED. RELEASED FOR PUBLICATION  
 © COPYRIGHT - By - ALL RIGHTS RESERVED.

LOC	DIST	REVISIONS			
P	LTR	DESCRIPTION	DATE	DWN	APVD
G	14	R2	REVISED PER ECO-11-005027	11MAR11	RK HMR

WIRE RANGE	Listed	LR7189 Certified
12-10 AWG SOLID OR STRANDED	12-10 AWG SOLID OR STRANDED	12-10 AWG SOLID OR STRANDED



- △ 1 STAMP AMP 12-10\*, APPROX AS SHOWN
- 2 WIRE INSULATION DIA: .150-.250
- 3 TONGUE MATERIAL THK IS 1.02±0.05 [.040±.002]
- △ 4 MATERIAL: BODY; COPPER PER ASTM B152  
INSULATION; PVC  
COLOR; YELLOW
- △ 5 MATERIAL: BODY; COPPER PER ASTM B152  
INSULATION; PVC  
COLOR; RED
- △ 6 MATERIAL: BODY; COPPER PER ASTM B152  
INSULATION; PVC  
COLOR; BLACK
- △ 7 FINISH: BODY; TIN PL. PER ASTM B545
- △ 8 FINISH: BODY; GOLD FLASH PER ASTM B-488  
OVER NICKEL PLATE QQ-N-290

△ 7	50	LOOSE PIECE, BOX	8-34856-2
△ 6	2500	ON TAPE, REEL	2-34856-5
△ 4	2500	ON TAPE, REEL	2-34856-1
△ 8	2500	ON TAPE, REEL	34856-4
△ 7	2500	ON TAPE, REEL	34856-2
△ 4	500	LOOSE PIECE	34856-0
	QTY	PACKAGE TYPE	PART NO

AMP INCORPORATED CUSTOMER SERVICE SYSTEMS		MAX RECOMMENDED OPERATING TEMPERATURE: 105°C [221°F]	THIS DRAWING IS A CONTROLLED DOCUMENT.		DWN DK SCHRUM 08/06/92	TE Connectivity	
FOR ADDITIONAL PRODUCT INFORMATION OR COPIES OF DRAWINGS AND TECHNICAL DOCUMENTS	PRODUCT INFORMATION CENTER 1-800-522-6752	VOLTAGE RATING: N/A	DIMENSIONS: mm[INCHES]	TOLERANCES UNLESS OTHERWISE SPECIFIED: 0 PLC ± - 1 PLC ± - 2 PLC ± 0.20[.008] 3 PLC ± - 4 PLC ± - ANGLES ± -	CHK RE HERSEY 11/10/92	NAME M ELLIS 11/10/92	
FOR APPLICATION TOOLING INFORMATION	TOOLING ASSISTANCE CENTER 1-800-722-1111	CIRCULAR MIL AREA: 2.62-6.64mm² [5180-13100] SOLID OR STRANDED			PRODUCT SPEC 108-1034	TERMINAL, RING TONGUE, PLASTI-GRIP	
FOR ORDER ENTRY	1-800-526-5142	THIS DRAWING IS A CONTROLLED DOCUMENT FOR AMP INCORPORATED. IT IS SUBJECT TO CHANGE AND THE CONTROLLING ENGINEERING ORGANIZATION SHOULD BE CONTACTED FOR THE LATEST REVISION.	MATERIAL SEE TABLE	FINISH SEE TABLE	APPLICATION SPEC NOT AVAILABLE	SIZE A3	CAGE CODE 00779
					WEIGHT -	DRAWING NO C=34856	RESTRICTED TO -
					CUSTOMER DRAWING	SCALE 4:1	SHEET 1 of 1
						REV R2	