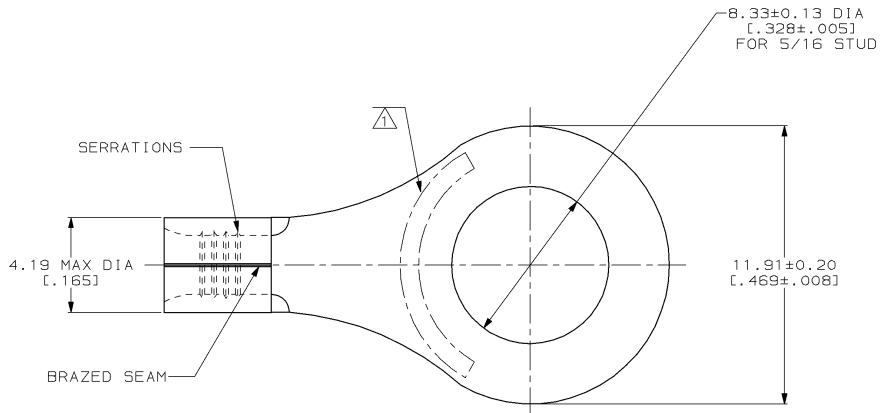


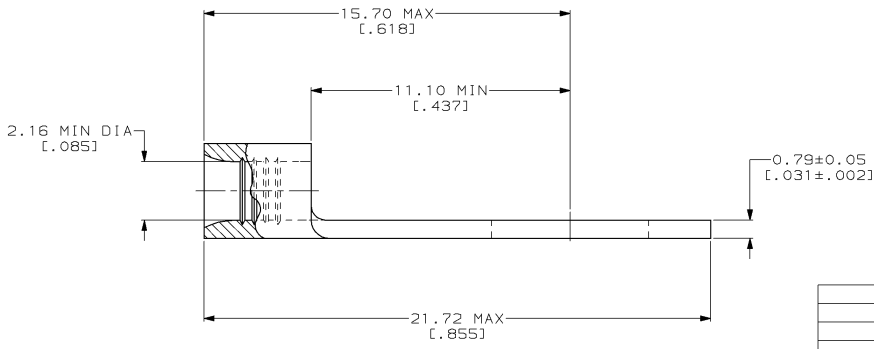
DRAWING MADE IN THIRD ANGLE PROJECTION
 THIS DRAWING IS UNPUBLISHED. RELEASED FOR PUBLICATION
 © COPYRIGHT 19 BY AMP INCORPORATED. ALL INTERNATIONAL RIGHTS RESERVED.

LOC	DIST	P	F	ZONE	LTR	DESCRIPTION	DATE	APPD
G	14				H	REV / 0610-0026-99	12FEB99	su



AMP WIRE RANGE	UL E13288 Listed
16-14 AWG SOLID OR STRANDED	16-14 AWG SOLID OR STRANDED
UL LR7189 Certified	MILITARY P/N AND CLASS
16-14 AWG SOLID OR STRANDED	SEE TABLE BELOW

△ STAMP AMP 16-14* APPROX AS SHOWN
 △ THIS IS NOT A U.S. MILITARY QUALIFIED PART



MILITARY P/N AND CLASS	QUANTITY	PACKAGING TYPE	AMP PART NUMBER
△-	100	ON TAPE, REEL	8-34125-5
△-	100	LOOSE PIECE	8-34125-1
△-	5000	LOOSE PIECE, SPECIAL BOX	3-34125-2
△-	1000	LOOSE PIECE, BOX	3-34125-1
M7928/7-9 CLASS 2	5000	ON TAPE, REEL	2-34125-6
M7928/7-9 CLASS 2	1000	LOOSE PIECE	34125

AMP INCORPORATED CUSTOMER SERVICE SYSTEMS		MAX RECOMMENDED OPERATING TEMPERATURE: 170°C MAX	DO NOT SCALE PRINT. UNLESS SPECIFIED DIMENSIONS IN mm [INCHES] TOLERANCES ON: 2 PLC DEC ± - 3 PLC DEC ± - ANGLES ± -	DR 3-17-93 TA BRINKMAN CHK 3-17-93 DA PATTERSON APPD 3-17-93 DE MILLER	AMP AMP Incorporated Harrisburg, PA 17105-3608		
FOR ADDITIONAL PRODUCT INFORMATION OR COPIES OF DRAWINGS AND TECHNICAL DOCUMENTS	PRODUCT INFORMATION CENTER 1-800-522-6752	VOLTAGE RATING: NOT APPLICABLE	MATERIAL COPPER PER ASTM B-152 ANNEALED	NAME	TERMINAL, RING TONGUE, SOLISTRAND™		
FOR APPLICATION TOOLING INFORMATION	TOOLING ASSISTANCE CENTER 1-800-722-1111	WIRE CROSS SECTIONAL AREA RANGE: 1.04-2.62mm² [2,050-5,180] CIR MILS SOLID OR STRANDED	FINISH TIN PLATE 0.00254[.000100] MIN THK PER ASTM B-545	PRODUCT SPEC -	SIZE C	CAGE CODE 00779	DRAWING NO C=34125
FOR ORDER ENTRY	1-800-526-5142	THIS DRAWING IS A CONTROLLED DOCUMENT FOR AMP INCORPORATED. IT IS SUBJECT TO CHANGE AND THE CONTROLLING ENGINEERING ORGANIZATION SHOULD BE CONTACTED FOR THE LATEST REVISION.	APPLICATION SPEC -	WEIGHT -	SCALE 8:1	SHEET 1 OF 1	