

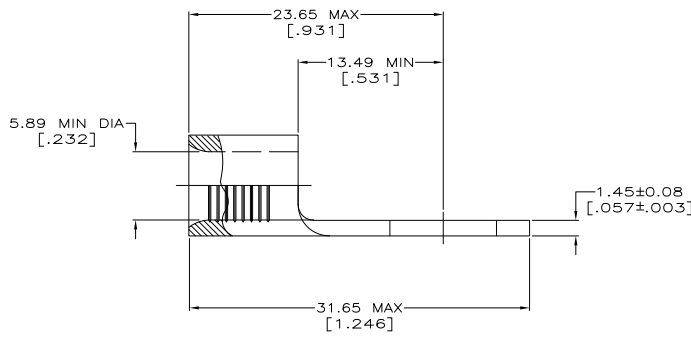
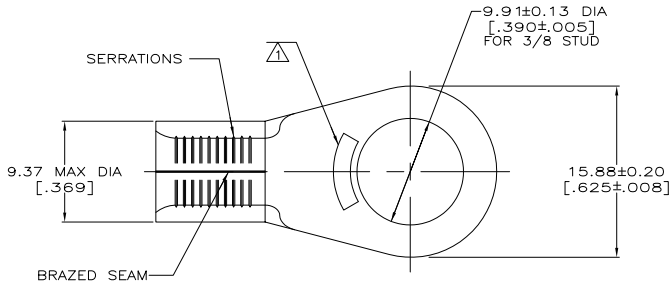
THIS DRAWING IS UNPUBLISHED. RELEASED FOR PUBLICATION. ALL RIGHTS RESERVED.

REV	DATE	DESCRIPTION	BY	APP
1	11MAR11	REVISED PER ECO-11-004820	RK	HMR

METRIC
DIMENSIONS LISTED IN mm [INCHES]

AMP WIRE RANGE	E13288 Listed
6 AWG SOLID OR STRANDED	6 AWG STRANDED
LR7189 Certified	MILITARY P/N AND CLASS
6 AWG SOLID OR STRANDED	MS 20659-110 CLASS 2 33467 ONLY

△ STAMP AMP 6* APPROX AS SHOWN



AMP INCORPORATED CUSTOMER SERVICE SYSTEMS		MAX RECOMMENDED OPERATING TEMPERATURE: 170° C MAX
FOR ADDITIONAL PRODUCT INFORMATION OR COPIES OF DRAWINGS AND TECHNICAL DOCUMENTS	PRODUCT INFORMATION CENTER 1-800-522-6752	VOLTAGE RATING: NOT APPLICABLE
FOR APPLICATION TOOLING INFORMATION	TOOLING ASSISTANCE CENTER 1-800-722-1111	WIRE CROSS SECTIONAL AREA RANGE: 10.5-16.8mm ² [20,800-33,100] CIR MILS SOLID OR STRANDED
FOR ORDER ENTRY	1-800-526-5142	

25	LOOSE PIECE, BAG	8-33467-5
25	LOOSE PIECE, BOX	8-33467-3
500	LOOSE PIECE, BOX	2-33467-4
750	TAPE MOUNTED	2-33467-3
-	LOOSE PIECE	33467
QUANTITY	PACKAGE TYPE	PART NO

THIS DRAWING IS A CONTROLLED DOCUMENT.		BY TA BRINKMAN 3-24-93	DATE 3-24-93	TE Connectivity																																																																																																																																																																																																												
DRAWN DA PATTERSON 3-24-93		APPROVED DE MILLER 3-24-93	SIZE A2	TERMINAL, RING TONGUE, SOLISTRAND™																																																																																																																																																																																																												
DIMENSIONS: mm [INCHES]		TOLERANCES UNLESS OTHERWISE SPECIFIED:	PRODUCT SPEC	RESTRICTED TO																																																																																																																																																																																																												
<table border="0"> <tr><td>Ø</td><td>P/C</td><td>±</td><td>-</td></tr> <tr><td>1</td><td>P/C</td><td>±</td><td>-</td></tr> <tr><td>2</td><td>P/C</td><td>±</td><td>-</td></tr> <tr><td>3</td><td>P/C</td><td>±</td><td>-</td></tr> <tr><td>4</td><td>P/C</td><td>±</td><td>-</td></tr> <tr><td>5</td><td>P/C</td><td>±</td><td>-</td></tr> <tr><td>6</td><td>P/C</td><td>±</td><td>-</td></tr> <tr><td>7</td><td>P/C</td><td>±</td><td>-</td></tr> <tr><td>8</td><td>P/C</td><td>±</td><td>-</td></tr> <tr><td>9</td><td>P/C</td><td>±</td><td>-</td></tr> <tr><td>10</td><td>P/C</td><td>±</td><td>-</td></tr> <tr><td>11</td><td>P/C</td><td>±</td><td>-</td></tr> <tr><td>12</td><td>P/C</td><td>±</td><td>-</td></tr> <tr><td>13</td><td>P/C</td><td>±</td><td>-</td></tr> <tr><td>14</td><td>P/C</td><td>±</td><td>-</td></tr> <tr><td>15</td><td>P/C</td><td>±</td><td>-</td></tr> <tr><td>16</td><td>P/C</td><td>±</td><td>-</td></tr> <tr><td>17</td><td>P/C</td><td>±</td><td>-</td></tr> <tr><td>18</td><td>P/C</td><td>±</td><td>-</td></tr> <tr><td>19</td><td>P/C</td><td>±</td><td>-</td></tr> <tr><td>20</td><td>P/C</td><td>±</td><td>-</td></tr> <tr><td>21</td><td>P/C</td><td>±</td><td>-</td></tr> <tr><td>22</td><td>P/C</td><td>±</td><td>-</td></tr> <tr><td>23</td><td>P/C</td><td>±</td><td>-</td></tr> <tr><td>24</td><td>P/C</td><td>±</td><td>-</td></tr> <tr><td>25</td><td>P/C</td><td>±</td><td>-</td></tr> <tr><td>26</td><td>P/C</td><td>±</td><td>-</td></tr> <tr><td>27</td><td>P/C</td><td>±</td><td>-</td></tr> <tr><td>28</td><td>P/C</td><td>±</td><td>-</td></tr> <tr><td>29</td><td>P/C</td><td>±</td><td>-</td></tr> <tr><td>30</td><td>P/C</td><td>±</td><td>-</td></tr> <tr><td>31</td><td>P/C</td><td>±</td><td>-</td></tr> <tr><td>32</td><td>P/C</td><td>±</td><td>-</td></tr> <tr><td>33</td><td>P/C</td><td>±</td><td>-</td></tr> <tr><td>34</td><td>P/C</td><td>±</td><td>-</td></tr> <tr><td>35</td><td>P/C</td><td>±</td><td>-</td></tr> <tr><td>36</td><td>P/C</td><td>±</td><td>-</td></tr> <tr><td>37</td><td>P/C</td><td>±</td><td>-</td></tr> <tr><td>38</td><td>P/C</td><td>±</td><td>-</td></tr> <tr><td>39</td><td>P/C</td><td>±</td><td>-</td></tr> <tr><td>40</td><td>P/C</td><td>±</td><td>-</td></tr> <tr><td>41</td><td>P/C</td><td>±</td><td>-</td></tr> <tr><td>42</td><td>P/C</td><td>±</td><td>-</td></tr> <tr><td>43</td><td>P/C</td><td>±</td><td>-</td></tr> <tr><td>44</td><td>P/C</td><td>±</td><td>-</td></tr> <tr><td>45</td><td>P/C</td><td>±</td><td>-</td></tr> <tr><td>46</td><td>P/C</td><td>±</td><td>-</td></tr> <tr><td>47</td><td>P/C</td><td>±</td><td>-</td></tr> <tr><td>48</td><td>P/C</td><td>±</td><td>-</td></tr> <tr><td>49</td><td>P/C</td><td>±</td><td>-</td></tr> <tr><td>50</td><td>P/C</td><td>±</td><td>-</td></tr> </table>		Ø	P/C	±	-	1	P/C	±	-	2	P/C	±	-	3	P/C	±	-	4	P/C	±	-	5	P/C	±	-	6	P/C	±	-	7	P/C	±	-	8	P/C	±	-	9	P/C	±	-	10	P/C	±	-	11	P/C	±	-	12	P/C	±	-	13	P/C	±	-	14	P/C	±	-	15	P/C	±	-	16	P/C	±	-	17	P/C	±	-	18	P/C	±	-	19	P/C	±	-	20	P/C	±	-	21	P/C	±	-	22	P/C	±	-	23	P/C	±	-	24	P/C	±	-	25	P/C	±	-	26	P/C	±	-	27	P/C	±	-	28	P/C	±	-	29	P/C	±	-	30	P/C	±	-	31	P/C	±	-	32	P/C	±	-	33	P/C	±	-	34	P/C	±	-	35	P/C	±	-	36	P/C	±	-	37	P/C	±	-	38	P/C	±	-	39	P/C	±	-	40	P/C	±	-	41	P/C	±	-	42	P/C	±	-	43	P/C	±	-	44	P/C	±	-	45	P/C	±	-	46	P/C	±	-	47	P/C	±	-	48	P/C	±	-	49	P/C	±	-	50	P/C	±	-	APPLICATION SPEC	WEIGHT	SCALE 4:1
Ø	P/C	±	-																																																																																																																																																																																																													
1	P/C	±	-																																																																																																																																																																																																													
2	P/C	±	-																																																																																																																																																																																																													
3	P/C	±	-																																																																																																																																																																																																													
4	P/C	±	-																																																																																																																																																																																																													
5	P/C	±	-																																																																																																																																																																																																													
6	P/C	±	-																																																																																																																																																																																																													
7	P/C	±	-																																																																																																																																																																																																													
8	P/C	±	-																																																																																																																																																																																																													
9	P/C	±	-																																																																																																																																																																																																													
10	P/C	±	-																																																																																																																																																																																																													
11	P/C	±	-																																																																																																																																																																																																													
12	P/C	±	-																																																																																																																																																																																																													
13	P/C	±	-																																																																																																																																																																																																													
14	P/C	±	-																																																																																																																																																																																																													
15	P/C	±	-																																																																																																																																																																																																													
16	P/C	±	-																																																																																																																																																																																																													
17	P/C	±	-																																																																																																																																																																																																													
18	P/C	±	-																																																																																																																																																																																																													
19	P/C	±	-																																																																																																																																																																																																													
20	P/C	±	-																																																																																																																																																																																																													
21	P/C	±	-																																																																																																																																																																																																													
22	P/C	±	-																																																																																																																																																																																																													
23	P/C	±	-																																																																																																																																																																																																													
24	P/C	±	-																																																																																																																																																																																																													
25	P/C	±	-																																																																																																																																																																																																													
26	P/C	±	-																																																																																																																																																																																																													
27	P/C	±	-																																																																																																																																																																																																													
28	P/C	±	-																																																																																																																																																																																																													
29	P/C	±	-																																																																																																																																																																																																													
30	P/C	±	-																																																																																																																																																																																																													
31	P/C	±	-																																																																																																																																																																																																													
32	P/C	±	-																																																																																																																																																																																																													
33	P/C	±	-																																																																																																																																																																																																													
34	P/C	±	-																																																																																																																																																																																																													
35	P/C	±	-																																																																																																																																																																																																													
36	P/C	±	-																																																																																																																																																																																																													
37	P/C	±	-																																																																																																																																																																																																													
38	P/C	±	-																																																																																																																																																																																																													
39	P/C	±	-																																																																																																																																																																																																													
40	P/C	±	-																																																																																																																																																																																																													
41	P/C	±	-																																																																																																																																																																																																													
42	P/C	±	-																																																																																																																																																																																																													
43	P/C	±	-																																																																																																																																																																																																													
44	P/C	±	-																																																																																																																																																																																																													
45	P/C	±	-																																																																																																																																																																																																													
46	P/C	±	-																																																																																																																																																																																																													
47	P/C	±	-																																																																																																																																																																																																													
48	P/C	±	-																																																																																																																																																																																																													
49	P/C	±	-																																																																																																																																																																																																													
50	P/C	±	-																																																																																																																																																																																																													
MATERIAL: COPPER PER ASTM B-152 ANNEALED		FINISH: TIN PLATE 0.0025±0.000120 MIN THK PER MIL-C-10727	WEIGHT	SHEET 1 of 1																																																																																																																																																																																																												
CUSTOMER DRAWING		DRAWING NO 00779	REVISION M2																																																																																																																																																																																																													

1471-9 (5/11)

33467