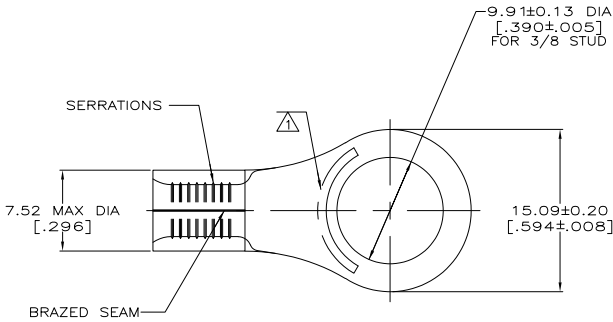


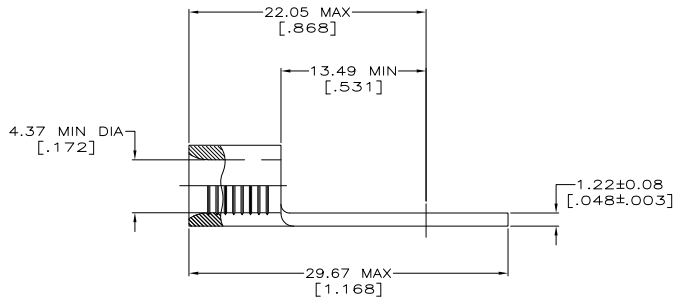
THE DRAWING IS UNPUBLISHED. RELEASED FOR PUBLICATION. ALL RIGHTS RESERVED.

LOC	REV	DESCRIPTION	DATE	BY	APPV
G	14				
P	LTR				
K2		REVISED PER ECO-11-004917	11MAR11	RK	HMR



AMP WIRE RANGE	E13288 Listed
8 AWG SOLID OR STRANDED	8 AWG STRANDED
LR7189 Certified	MILITARY P/N AND CLASS
8 AWG SOLID OR STRANDED	MS 20659-129 CLASS 2 PN 33463 ONLY

- 1 STAMP AMP 8* APPROX AS SHOWN
- 2 COPPER PER ASTM B-152, ANNEALED
- 3 TIN PLATE 0.00254 [0.00100] MIN THK PER ASTM B-545



CUSTOMER SERVICE SYSTEMS		MAX RECOMMENDED OPERATING TEMPERATURE: 170° C MAX
FOR ADDITIONAL PRODUCT INFORMATION OR COPIES OF DRAWINGS AND TECHNICAL DOCUMENTS	PRODUCT INFORMATION CENTER 1-800-522-6752	VOLTAGE RATING: NOT APPLICABLE
FOR APPLICATION TOOLING INFORMATION	TOOLING ASSISTANCE CENTER 1-800-722-1111	WIRE CROSS SECTIONAL AREA RANGE: 6.64-10.5mm ² [13,100-20,800] CIR MILS SOLID OR STRANDED
FOR ORDER ENTRY	1-800-526-5142	THIS DRAWING IS A CONTROLLED DOCUMENT FOR AMP INCORPORATED. IT IS SUBJECT TO CHANGE AND THE CONTROLLING ENGINEERING ORGANIZATION SHOULD BE CONTACTED FOR THE LATEST REVISION.

SUPERSEDED BY 8-33463-1	25	LOOSE PIECE, BAG	8-33463-5
	100	LOOSE PIECE, BOX	8-33463-1
	1000	ON TAPE, REEL	2-33463-4
OBSOLETE	1000	LOOSE PIECE, BOX	2-33463-3
	----	LOOSE PIECE	33463
	QTY	PACKAGE TYPE	PART NO

THIS DRAWING IS A CONTROLLED DOCUMENT.		BY TA BRINKMAN 3-24-93	TE Connectivity	
DIMENSIONS: mm[INCHES]		CHK DA PATTERSON 3-24-93	NAME	
TOLERANCES UNLESS OTHERWISE SPECIFIED:		APPV JL MECKLEY 3-24-93	PRODUCT SPEC	
APPLICABLE SPEC		TERMINAL, RING TONGUE, SOLISTRAND		
MATERIAL	FINISH	SIZE	CAGE CODE	DRAWING NO
2	3	A2	00779	33463
CUSTOMER DRAWING		SCALE	SHEET	RESTRICTED TO
		4:1	1 of 1	K2

141-9 (5/11)

33463

A