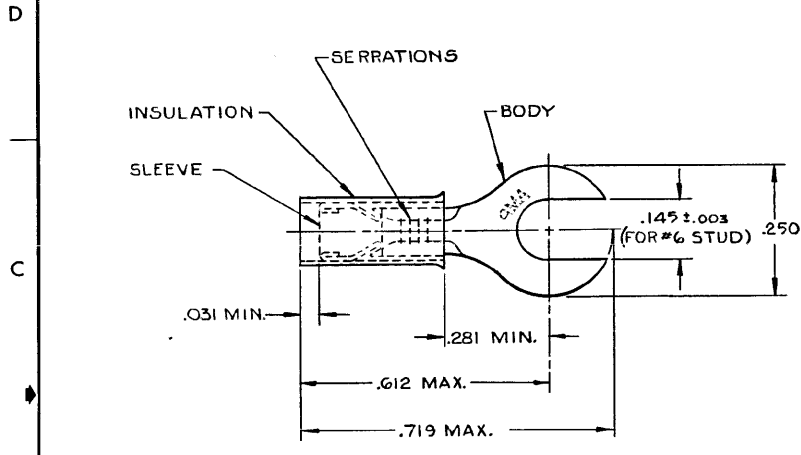


THIS DRAWING IS UNPUBLISHED. RELEASED FOR PUBLICATION  
 (C) COPYRIGHT

REVISIONS						
P	F	ZONE	LTR	DESCRIPTION	DATE	APPROVED
		R1		REVISED PER ECO-11-005294	11APR11	HMR



- 1 WIRE INSULATION DIA = .050 -.082
- 2 TONGUE MATERIAL THK. = .018 ±.002
- 3 BODY FINISH = TIN PLATE (MIL-T-10727).000100 MIN THK

QTY.	DESCRIPTION	PART NO
<del>100</del>	<del>ON TAPE, 5M BOX</del>	<del>2-323011-3</del>
<del>1000</del>	<del>ON TAPE, 1G BOX</del>	<del>2-323011-4</del>
4000	ON TAPE, REEL	2-323011-2
1	LOOSE PIECE	323011

UNLESS OTHERWISE SPECIFIED DIMENSIONS ARE IN INCHES. TOLERANCES ON: DECIMALS ± .004 ANGLES ±		CONTRACT NO		TE Connectivity	
MATERIAL INSULATION: NYLON - YELLOW BODY & SLEEVE: COPPER (ASTM B152)		DR UTA / RFB 10-2-85			
FINISH BODY: 3		APPD <i>M. J. ...</i> APPD <i>...</i>		NAME <b>TERMINAL</b> P.I.D.G., SLOTTED RING TONGUE WIRE SIZE: 26-22	
		DSGN APPD		SIZE <b>B</b>	FSCM NO <b>00779</b>
		OTHER APPD		DRAWING NO <b>323011</b>	
				SCALE <b>NTS</b>	SHEET <b>1 OF 1</b>

CUSTOMER DRAWING