

4

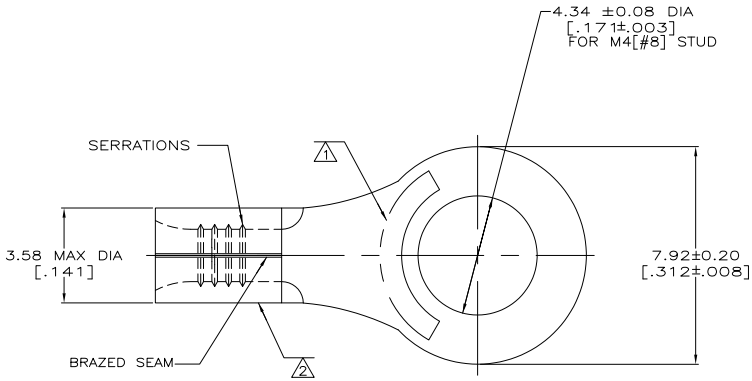
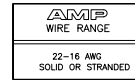
3

2

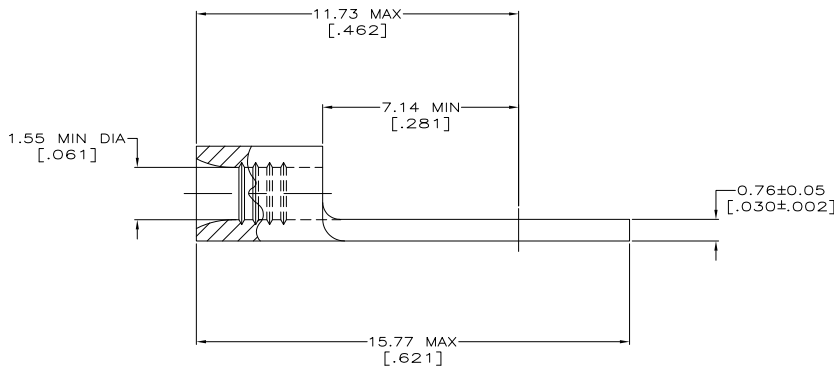
1

THIS DRAWING IS UNPUBLISHED. RELEASED FOR PUBLICATION. ALL RIGHTS RESERVED.

LOC		DIBT		REVISIONS		
		P	LR	DESCRIPTION	DATE	BY
G	14					
		J2		REVISED PER ECO-12-003796	28FEB12	KH DR



- 1 STAMP AMP 22-18 APPROX AS SHOWN
22-16 TERMINALS ARE STAMPED 22-18 IN ACCORDANCE WITH MILITARY SPECIFICATION SAE AS7928; COMMERCIAL WIRE RANGE IS 22-16
- 2 WIRE BARREL COLOR CODED ORANGE TO DENOTE NICKEL MATERIAL
- 3 NICKEL PER ASTM B-162, ANNEALED
- 4 NICKEL-CHROMIUM ALLOY THERMOCOUPLE MATERIAL "TYPE K" POSITIVE LEAD PER ASTM E230, ANNEALED.
- 5 NICKEL-MAGNESIUM-ALUMINUM ALLOY THERMOCOUPLE MATERIAL "TYPE K" NEGATIVE LEAD PER ASTM E230, ANNEALED.
- 6 GOLD PLATE 0.00127[.000050] MIN EXT. THK ASTM B488, TYPE1, CODE C OVER NICKEL FLASH PER SAE AMS QQ-N-290 WOODS NICKEL FLASH PER ASTM B558.
- 7 NOTE DELETED



649°C [1200°F]	1000	LOOSE PIECE	5	NONE	2-321895-4
649°C [1200°F]	1000	LOOSE PIECE	4	NONE	2-321895-2
649°C [1200°F]	1000	LOOSE PIECE	3	NONE	2-321895-1
260°C [500°F]	1000	LOOSE PIECE	3	6	321895-1
649°C [1200°F]	1000	LOOSE PIECE	3	4	321895
MAX OPERATING TEMPERATURE	QTY	PACKAGE TYPE	MATERIAL	FINISH	PART NO.

CUSTOMER SERVICE SYSTEMS		MAX RECOMMENDED OPERATING TEMPERATURE: SEE TABLE	THIS DRAWING IS A CONTROLLED DOCUMENT.		DIMENSIONS: MM [INCHES] 0 PLG ± - 1 PLG ± - 2 PLG ± 0.20 [0.08] 3 PLG ± - 4 PLG ± - ANGLES ± - FINISH: SEE TABLE	TA BRINKMAN 4-15-93 OK DA PATTERSON 4-15-93 JIL MECKLEY 4-15-93 NAME: JIL MECKLEY PRODUCT SPEC: - APPLICATION SPEC: - WEIGHT: - SIZE: A2 CASE CODE: 00779 DRAWING NO: C=321895	TE Connectivity TERMINAL, RING TONGUE, HIGH TEMPERATURE, STRATO-THERM, SOLISTRAND RESTRICTED TO: - SCALE: 10:1 SHEET: 1 of 1 REV: J2
FOR ADDITIONAL PRODUCT INFORMATION OR COPIES OF DRAWINGS AND TECHNICAL DOCUMENTS	PRODUCT INFORMATION CENTER 1-800-522-6752	VOLTAGE RATING: NONE	CIRCULAR MIL AREA: 0.26-1.65mm² [509-3260] SOLID OR STRANDED		CUSTOMER DRAWING THIS DRAWING IS A CONTROLLED DOCUMENT FOR AMP INCORPORATED. IT IS SUBJECT TO CHANGE AND THE CONTROLLING ENGINEERING ORGANIZATION SHOULD BE CONTACTED FOR THE LATEST REVISION.		
FOR APPLICATION	TOOLING ASSISTANCE CENTER 1-800-722-1111	FOR ORDER ENTRY	1-800-526-5142				