

4

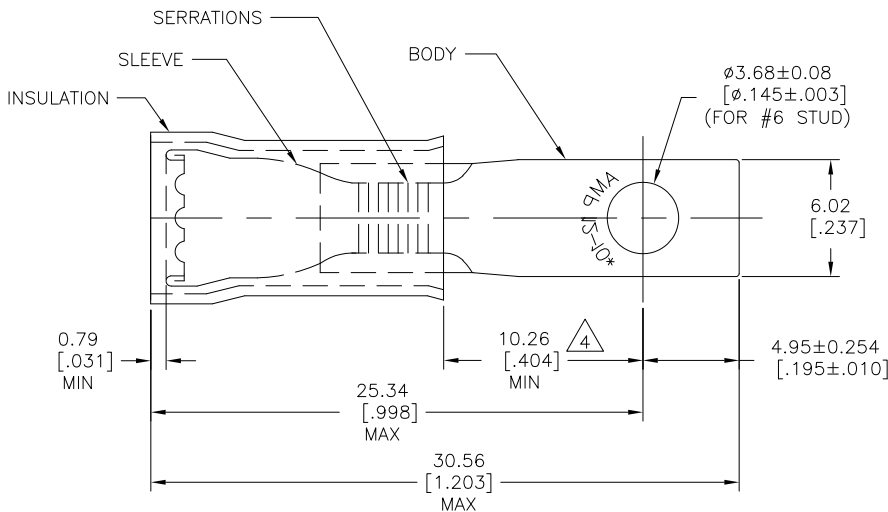
3

2

1

THIS DRAWING IS UNPUBLISHED. RELEASED FOR PUBLICATION  
 © COPYRIGHT - By - ALL RIGHTS RESERVED.

| LOC |     | DIST                      |         | REVISIONS |      |  |  |
|-----|-----|---------------------------|---------|-----------|------|--|--|
| P   | LTR | DESCRIPTION               | DATE    | DWN       | APVD |  |  |
|     | K3  | REVISED PER ECO-11-004917 | 11MAR11 | RK        | HMR  |  |  |



- 1 TONGUE MATERIAL THK: 1.02±0.05[.040±.002]
- 2 FOR 3.81[.150] TO 5.84[.230] WIRE INSULATION DIA
- △3 SUPERSEDED BY 2-327960-1
- △4 APPLIES FROM THE METAL EDGE OF THE BARREL TO THE CENTER OF THE STUD
- △5 MEETS MS17143-15, CLASS 1 & 2
- △6 MEETS MS17143-15, CLASS 2

|          |     |                       |  |               |
|----------|-----|-----------------------|--|---------------|
| OBSOLETE | 1   | ON TAPE               | BODY & SLEEVE: COPPER (ASTM-B152)<br>TIN PL (ASTM-B545)  | △6 2-327960-2 |
|          | 1   | 2-327960-1<br>ON TAPE | INSULATION: NYLON (ASTM-D4066) TYPE 1<br>COLOR: YELLOW   | -2-327960-3   |
|          | 1   | WIRE TERMINAL         |  | △5 2-327960-1 |
|          | 1   | WIRE TERMINAL         | BODY: COPPER (ASTM-B152)<br>TIN PL (ASTM-B545)<br>SLEEVE: COPPER (ASTM-B152)<br>INSULATION: PVC<br>COLOR: YELLOW | △3 327960     |
|          | QTY | DESCRIPTION           | MATERIAL & FINISH  | PART NO       |

|  |           |                             |                           |              |
|--|-----------|-----------------------------|---------------------------|--------------|
| THIS DRAWING IS A CONTROLLED DOCUMENT. |           | DWN RAGHAVENDRA 01SEP09     | TE Connectivity           |              |
| DIMENSIONS: mm [INCHES]                |           | CHK JEFF RUTH 01SEP09       |                           |              |
| TOLERANCES UNLESS OTHERWISE SPECIFIED: |           | APVD TOM MICHELUTTI 01SEP09 | NAME                      |              |
| 0 PLC ± -                              |           | PRODUCT SPEC                | WIRE TERMINAL             |              |
| 1 PLC ± -                              |           | APPLICATION SPEC            | PIDG - RECTANGULAR TONGUE |              |
| 2 PLC ± -                              |           | WEIGHT                      | WIRE SIZE: 12-10          |              |
| 3 PLC ± 0.20 [.008]                    |           | SIZE                        | A3                        | 00779        |
| 4 PLC ± - ± 5°                         |           | CAGE CODE                   | C                         | 327960       |
| MATERIAL FINISH                        |           | DRAWING NO                  | RESTRICTED TO             |              |
| SEE TABLE                              | SEE TABLE | CUSTOMER DRAWING            | SCALE 5:1                 | SHEET 1 OF 1 |
|  |           |                             | REV K3                    |              |