

4

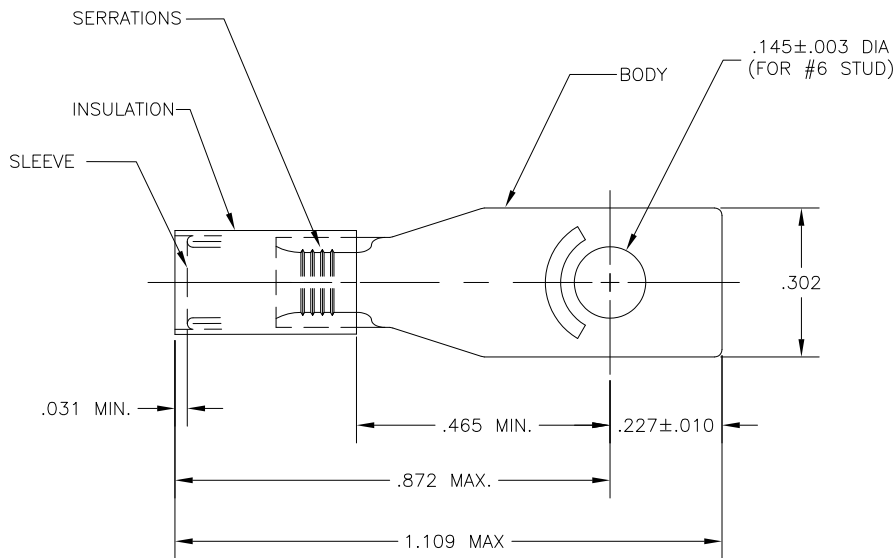
3

2

1

THIS DRAWING IS UNPUBLISHED. RELEASED FOR PUBLICATION  
 © COPYRIGHT - BY TYCO ELECTRONICS CORPORATION. ALL INTERNATIONAL RIGHTS RESERVED.

LOC	DIST	REVISIONS				
P	LTR	DESCRIPTION	DATE	DWN	APVD	
G	02	J2	REVISED PER ECR-09-025663	04DEC09	JR	TM



- 1 WIRE INSULATION DIA = .105 TO .140
- 2 TONGUE MATERIAL THK. = .031±.002
- 3 MARKING 22-18 FOR MILITARY COMMERCIAL RANGE 22-16
- △4 FINISH: TIN PLATE (MIL-T-10727) .000100 MIN THK.
- △5 INSULATION PVC-RED
- △6 INSULATION NYLON MIL-M-20693 TYPE I RED
- △7 SUPERSEDED BY 2-327938-1
- △8 MEETS MS17143-4, CLASS 1 & 2
- △9 MEETS MS17143-4, CLASS 2

OBSOLETE	△4	△6	100	ON TAPE, SM BOX	2-327938-5
OBSOLETE	△4	△6	1000	ON TAPE, LG BOX	2-327938-4
△7	△4	△6	5000	ON TAPE, REEL	△9 2-327938-2
	△4	△6	-	LOOSE PIECE	△8 2-327938-1
OBSOLETE	△4	△5	-	LOOSE PIECE	327938
	BODY FINISH	INSUL. MATL.	QTY	DESCRIPTION	PART NO

THIS DRAWING IS A CONTROLLED DOCUMENT.

DIMENSIONS: INCHES	TOLERANCES UNLESS OTHERWISE SPECIFIED: 0 PLC ± - 1 PLC ± - 2 PLC ± - 3 PLC ± .008 4 PLC ± - ANGLES ± -	DWN RAGHAVENDRA	DR/JUNOR	Tyco Electronics Corporation Harrisburg, PA 17105-3608	
MATERIAL SEE TABLE	FINISH SEE TABLE	CHK T MICHELUTTI	OS/JUNOR	NAME TERMINAL, PIDG, RECTANGULAR TONGUE WIRE SIZE : 22-16	
		APVD T MICHELUTTI	OS/JUNOR	SIZE A3	CAGE CODE 00779
CUSTOMER DRAWING			WEIGHT	RESTRICTED TO	SCALE 5:1 SHEET 1 OF 1 REV J2