

4

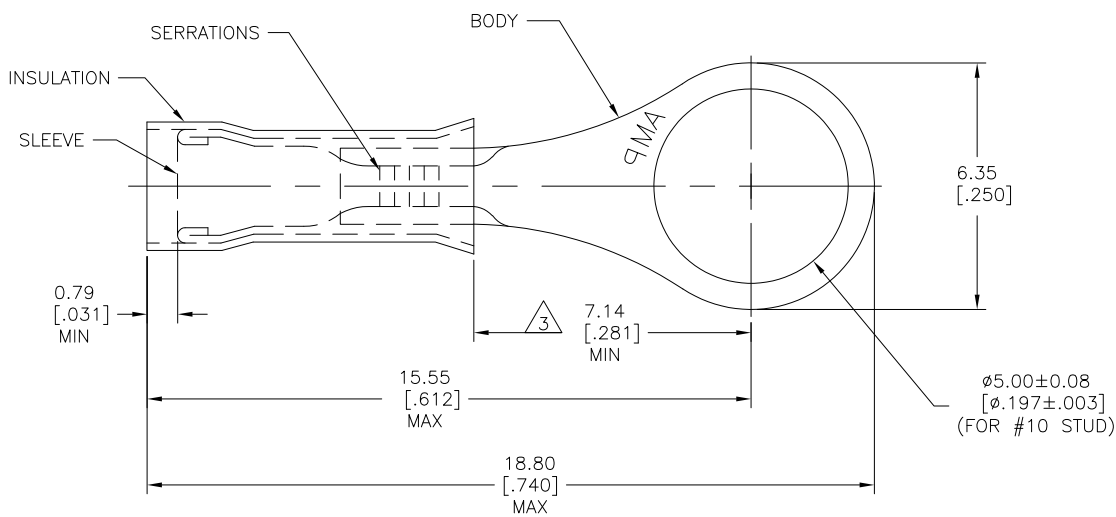
3

2

1

THIS DRAWING IS UNPUBLISHED. RELEASED FOR PUBLICATION
 © COPYRIGHT - BY TYCO ELECTRONICS CORPORATION. ALL INTERNATIONAL RIGHTS RESERVED.

| LOC | DIST | REVISIONS | | | |
|-----|------|---------------------------|---------|-----|------|
| P | LTR | DESCRIPTION | DATE | DWN | APVD |
| G | 14 | | | | |
| | G2 | REVISED PER ECR-09-026553 | 04DEC09 | JR | TM |



- 1 FOR 1.27 [.050] TO 2.08 [.082] WIRE INSULATION DIA
 - 2 TONGUE MATERIAL THK: 0.46 ± 0.05 [.018 ± .002]
- 3 APPLIES FROM THE METAL EDGE OF THE BARREL TO THE CENTER OF THE STUD
- 4 MEETS MS25036-147, CLASS 2

| 100 | LOOSE PC, BOX | BODY & SLEEVE: COPPER (ASTM-B152) TIN PL (ASTM-B545) | 8-324075-1 |
|------|-------------------|---|--------------|
| 4000 | 324075 ON TAPE | INSULATION: NYLON COLOR: YELLOW (ASTM-D4066) TYPE 1 | 4 2-324075-1 |
| 1 | WIRE TERMINAL | | 4 324075 |
| QTY | DESCRIPTION | MATERIAL & FINISH | PART NO |

| | | | | |
|---|--|------------------------------------|---|----------------------|
| THIS DRAWING IS A CONTROLLED DOCUMENT. | | DWN RAGHAVENDRA 27AUG09 | Tyco Electronics Corporation Harrisburg, PA 17105-3608 | |
| DIMENSIONS: mm [INCHES] | | CHK JEFF RUTH 27AUG09 | NAME TOM MICHIELUTTI | |
| TOLERANCES UNLESS OTHERWISE SPECIFIED: | | APVD TOM MICHIELUTTI 27AUG09 | PRODUCT SPEC --- | |
| 0 PLC ± - | | APPLICATION SPEC --- | SIZE A3 | |
| 1 PLC ± - | | WEIGHT --- | CAGE CODE 00779 | DRAWING NO 324075 |
| 2 PLC ± - | | MATERIAL SEE TABLE | RESTRICTED TO --- | |
| 3 PLC ± 0.20 [.008] | | FINISH SEE TABLE | SCALE 10:1 | |
| 4 PLC ± - ± 5° | | CUSTOMER DRAWING | | |
| | | SHEET 1 of 1 | | REV G2 |