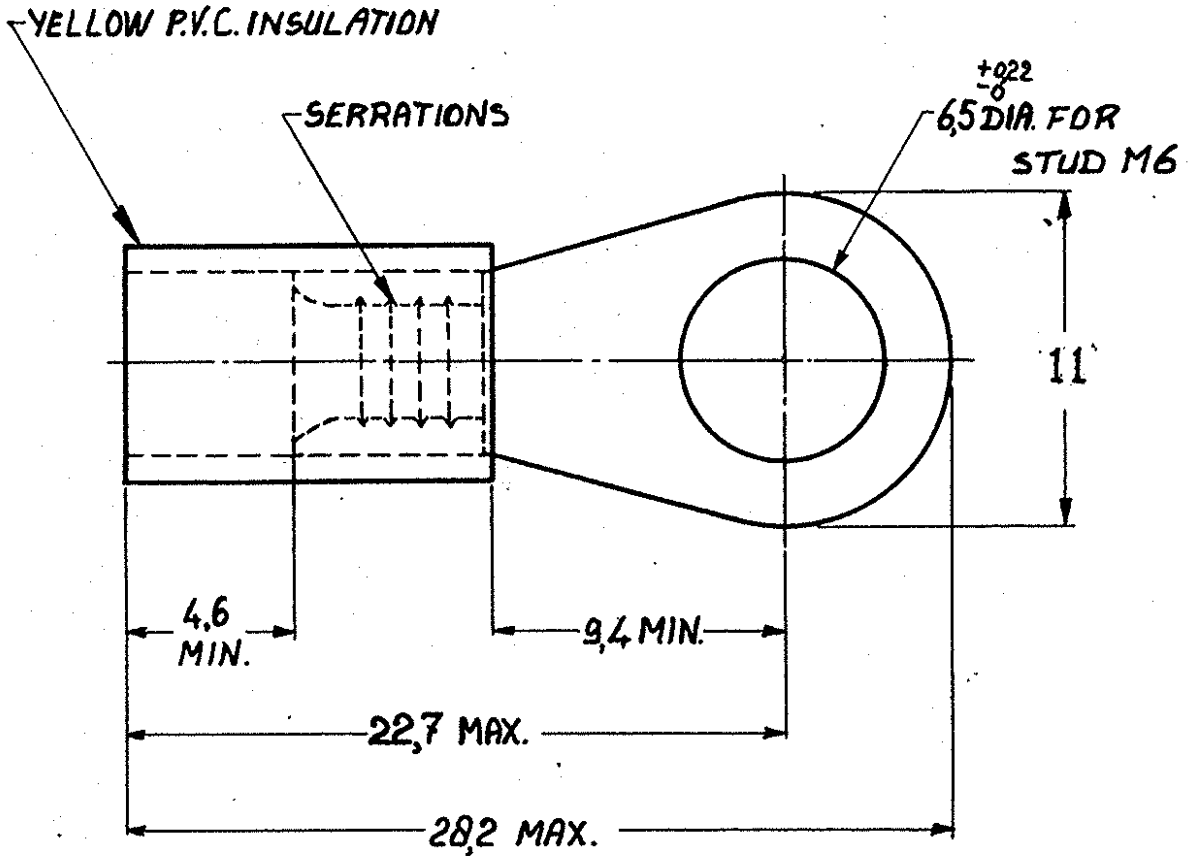


DRAWING MADE IN AMERICAN PROJECTION

NUMBER C-165414-E



TONGUE MATERIAL THICKNESS: 10

CUSTOMER COPY FOR REFERENCE ONLY

©1970 BY AMP-HOLLAND N.V. ALL RIGHTS RESERVED A-MP PRODUCTS COVERED BY PATENTS AND/OR PATENTS PENDING.



AMP-HOLLAND N.V.
's-HERTOGENBOSCH
HOLLAND

DR	DATE	DE	DATE
CHK	DATE	APP	DATE

WIRE-RANGE	INSUL-RANGE	TYPE	DIN
4-6 mm ²	5,6 DIA. MAX	PLASTI-GRIP	

SCALE	LOC	SIZE	NO	REV
4:1	H	A	C-165414-E	F

NAME INSULATED RINGTONGUE for stud M6

REV C 30-8-85

DIMENSIONS IN M.M. DO NOT SCALE PRINT

2-165414-1	165414 TAPE MOUNTED		
165414	COPPER	TIN	