

4

3

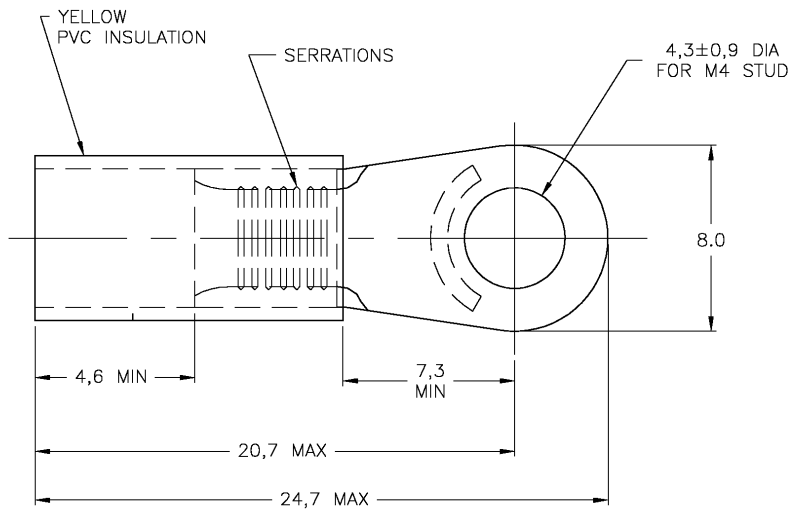
2

1

THIS DRAWING IS UNPUBLISHED. RELEASED FOR PUBLICATION
 © COPYRIGHT - BY TYCO ELECTRONICS CORPORATION. ALL RIGHTS RESERVED.

LOC	DIST	REVISIONS				
P	LTR	DESCRIPTION	DATE	DWN	APVD	
H	02	E	REV PER OG3A-0323-04	12MAY04	JR	TM

- 1 TONGUE MATERIAL THK IS 1.0
- 2 INSULATION RANGE, 5,6 MAX DIA



165412-0
 PART NO.

THIS DRAWING IS A CONTROLLED DOCUMENT.		DWN jr ruth 12MAY04	tyco Electronics		Tyco Electronics Corporation Harrisburg, Pa 17105-3608
DIMENSIONS: mm		CHK T MICHELUTTI 12MAY04	NAME RING TONGUE, PLASTI-GRIP, WIRE SIZE: 4-6mm		
TOLERANCES UNLESS OTHERWISE SPECIFIED: 0 PLC ± - 1 PLC ± 0,2 2 PLC ± 0,2 3 PLC ± - 4 PLC ± - ANGLES ± 1°		APVD T MICHELUTTI 12MAY04	PRODUCT SPEC - APPLICATION SPEC - WEIGHT -		
MATERIAL COPPER	FINISH TIN PLATED	SIZE A3		CAGE CODE 00779	DRAWING NO 165412
CUSTOMER DRAWING			SCALE 6:1	SHEET 1 OF 1	RESTRICTED TO - REV E

AMP 1470-19 REV 31MAR2000