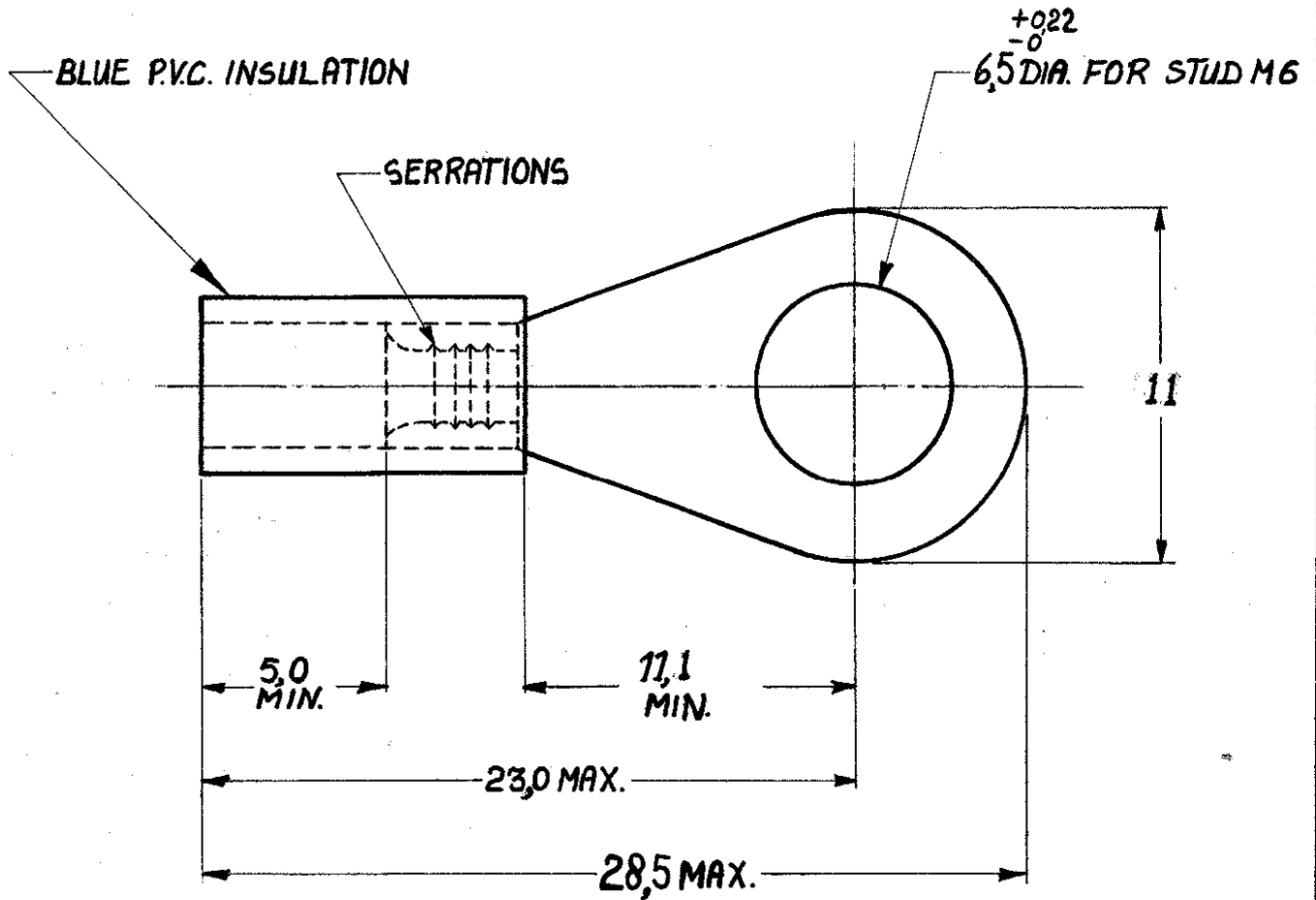


DRAWING MADE IN AMERICAN PROJECTION

NUMBER C-165410-E



TONGUE MATERIAL THICKNESS: 0,8

REV B 30-8-85 DIMENSIONS IN M.M. DO NOT SCALE PRINT

CUSTOMER COPY FOR REFERENCE ONLY

©1970 BY AMP-HOLLAND N.V. ALL RIGHTS RESERVED A-MP PRODUCTS COVERED BY PATENTS AND/OR PATENTS PENDING.



AMP-HOLLAND N.V.
HERTOGENBOSCH
HOLLAND

165410	COPPER	TIN
--------	--------	-----

WIRE-RANGE 15-25 mm ²	INSUL.-RANGE 3,9 DIA. MAX	TYPE PLASTI-GRIP	DIN
-------------------------------------	------------------------------	---------------------	-----

ORDER NO.	MATERIAL	PLATING	SCALE 4:1	LOC H	SIZE A	NO C-165410-E	REV D
-----------	----------	---------	--------------	----------	-----------	------------------	----------

DR R. J. J. J.	DATE 2/11-80	DE	DATE
-------------------	-----------------	----	------

CHK	DATE	APP <i>[Signature]</i>	DATE 6/11-1970
-----	------	---------------------------	-------------------

NAME
INSULATED RINGTONGUE for stud M6