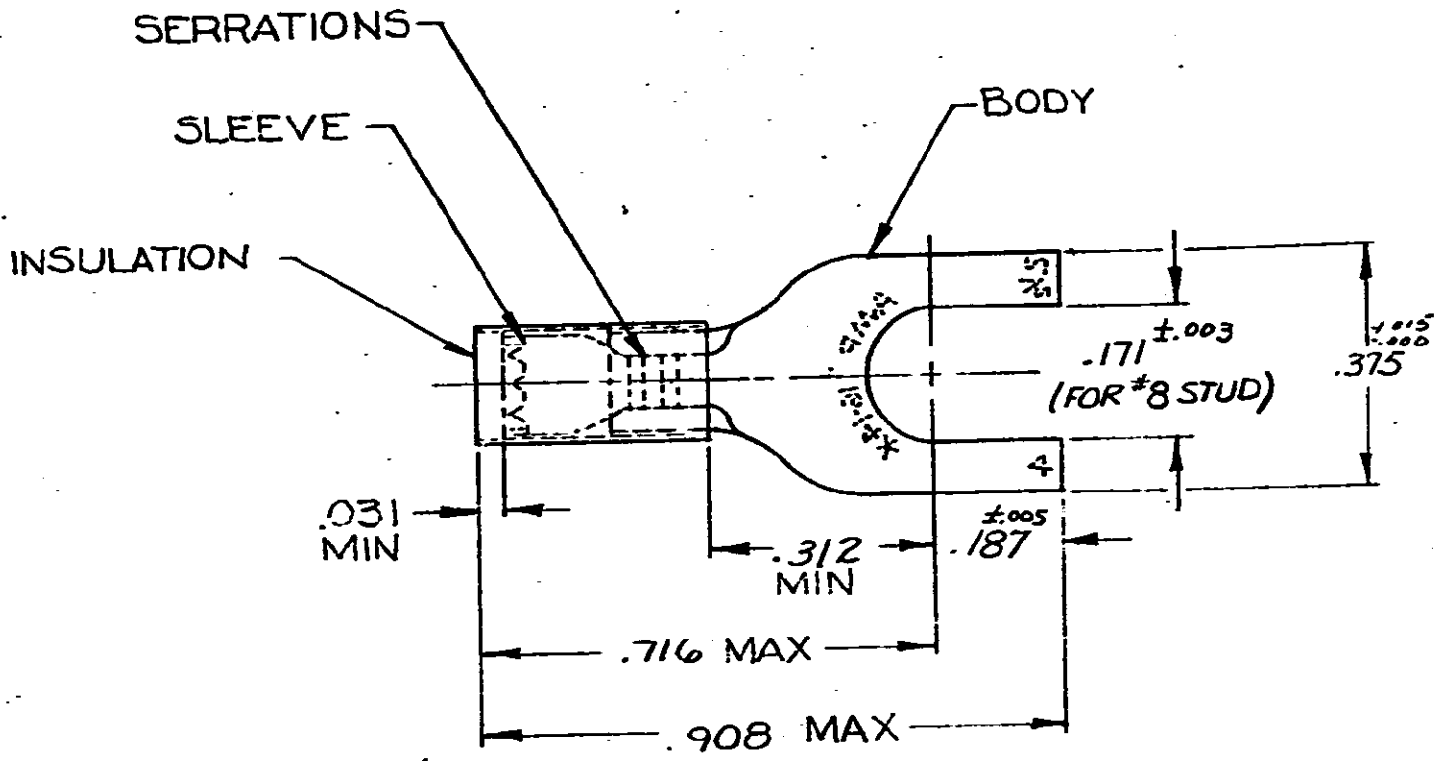


DRAWING MADE IN AMERICAN PROJECTION

REVISIONS			
LTR	DESCRIPTION	DATE	APPROVED
C1	REVISED PER ECO-11-005294	11APR11	HMR



TONGUE MATERIAL THK = .031 ±.002
FOR .105 TO .150 WIRE INSULATION DIA

100	LOOSE PC, BOX	8-32056-1	
1	32056 ON TAPE	2-32056-1	BODY: COPPER (QQ-C-576) TIN PL (MIL-T-10727)
1	WIRE TERMINAL	32056	SLEEVE: COPPER (QQ-C-576) INSULATION: NYLON COLOR: BLUE
QTY	DESCRIPTION	PART NO	MATERIAL & FINISH
UNLESS OTHERWISE SPECIFIED DIMENSIONS ARE IN INCHES TOLERANCES ON: DECIMALS ±.008 ANGLES ±5°			
CONTRACT NO. <u> </u> DR. <u>John Emmerling</u> 3-12-70 CHK. <u> </u> 3-16-70 APPD. <u> </u> 3-16-70 REL. <u> </u> 3-17-70 DSGN APPD. <u> </u> OTHER APPD. <u> </u>			
MATERIAL			SIZE A
SEE TABLE			CODE IDENT NO. 00779
			NUMBER 32056
			SCALE NTS SHEET 1 OF 1
CUSTOMER DRAWING			