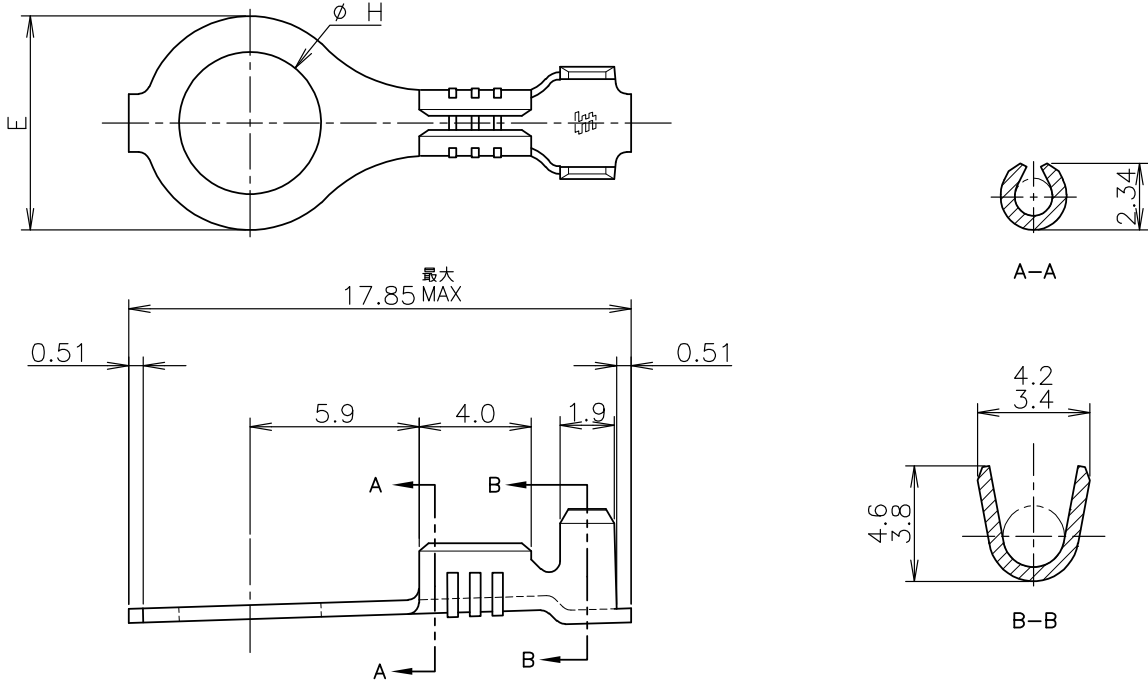


LOC J	DIST —	REVISIONS 変更					
		P	LTR	DESCRIPTION	DATE	DWN	APVD
			B	REDRAWN AND REVISED ECR-10-023816	26NOV2010	T.T	T.M

-2; AS SHOWN



#8	4.34	6.5	1-170225-2	TIN PL 錫めっき	171627-2
STUD	H±0.08	E±0.17	STRIP NO.	FINISH	P/N
	DIMENSIONS		連鎖状端子型番	仕上	ばら状端子型番

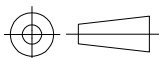
CLASS 分類 RING 丸型	TYPE 型式	WIRE RANGE 抱合電線断面積 AWG #22-#18 0.3~0.89 mm ²	INSULATION DIA 被覆外径 1.52~2.79 mmφ
---------------------	---------	---	--------------------------------------

DIMENSIONS: 単位: 耗 mm	DWN T.TSUZAKI 25NOV2010	MATERIAL 材料 黄銅 BRASS 0.5t	FINISH 仕上 表参照 SEE TABLE
----------------------	-------------------------	---------------------------	-------------------------

TOLERANCES UNLESS OTHERWISE SPECIFIED: 一般公差	CHK T.MASUDA 26NOV2010	Tyco Electronics Corporation Kawasaki, Japan	
0 PLC ±	APVD T.MASUDA 26NOV2010		

1 PLC ±	PRODUCT SPEC 製品規格	NAME 名称 RING TERMINAL LOOSE PIECE	
2 PLC ± ±0.4	APPLICATION SPEC 取付適用規格	SIZE A4	CAGE CODE 00779

3 PLC ±	WEIGHT	DRAWING NO 番号 C-171627	RESTRICTED TO
4 PLC ±			
ANGLES ± 1°			



CUSTOMER DRAWING	SCALE 尺度 4:1	SHEET 1 OF 1	REV B
------------------	--------------	--------------	-------

THIS DRAWING IS UNPUBLISHED. OCT, 1982. ALL INTERNATIONAL RIGHTS RESERVED. BY TYCO ELECTRONICS CORPORATION.