

4

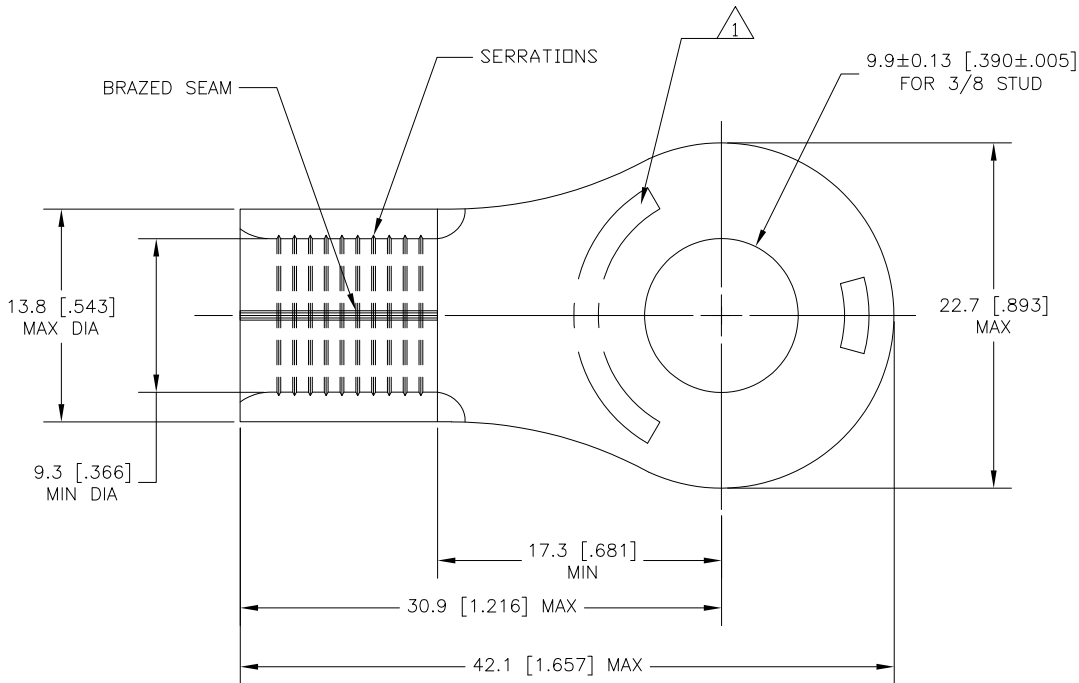
3

2

1

THIS DRAWING IS UNPUBLISHED. RELEASED FOR PUBLICATION
 © COPYRIGHT - BY TYCO ELECTRONICS CORPORATION. ALL INTERNATIONAL RIGHTS RESERVED.

| LOC | DIST | REVISIONS | | | |
|-----|------|-----------------------|---------|-----|------|
| P | LTR | DESCRIPTION | DATE | DWN | APVD |
| G | 86 | | | | |
| | A1 | REV PER ECR 10-004261 | 25FEB10 | JR | TM |



- 1 STAMP "AMP 2W* 60-75" LOCATED APPROX AS SHOWN ON BOTTOM.
- 2 COPPER PER ASTM B-152
- 3 NICKEL PLATE PER QQ-N-290

131297-1
 PART NO

| | | | | |
|--|--|---------------------------------|---|----------------------|
| THIS DRAWING IS A CONTROLLED DOCUMENT. | | DWN jr_ruth 25FEB10 | Tyco Electronics Corporation Harrisburg, PA 17105-3608 | |
| DIMENSIONS: MM [INCHES] | | CHK T MICHELUTTI 25FEB10 | NAME T MICHELUTTI | |
| TOLERANCES UNLESS OTHERWISE SPECIFIED: | | APVD T MICHELUTTI 25FEB10 | PRODUCT SPEC - | |
| 0 PLC ± - | | APPLICATION SPEC - | | RESTRICTED TO - |
| 1 PLC ± - | | WEIGHT - | | SIZE A3 |
| 2 PLC ± 0.2 [.008] | | CAGE CODE 00779 | | DRAWING NO 131297 |
| 3 PLC ± - | | CUSTOMER DRAWING | | SCALE 4:1 |
| 4 PLC ± - | | FINISH - 2 - | | SHEET 1 OF 1 |
| ANGLES ± 5° | | REV A1 | | |