

4

3

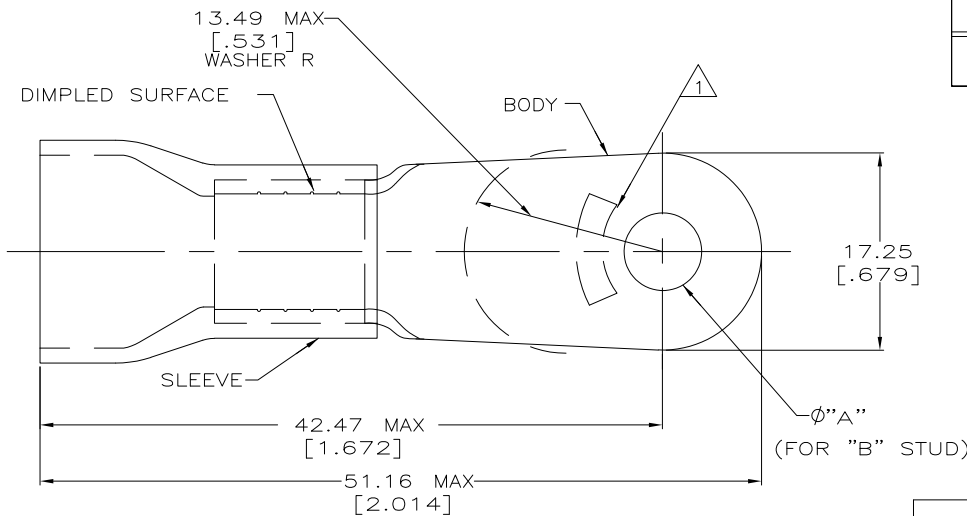
2

1

THIS DRAWING IS UNPUBLISHED. RELEASED FOR PUBLICATION
 © COPYRIGHT - BY TYCO ELECTRONICS CORPORATION. ALL INTERNATIONAL RIGHTS RESERVED.

LOC	DIST	REVISIONS				
P	LTR	DESCRIPTION	DATE	DWN	APVD	
G	14	U2	REVISED PER ECO-11-002228	11FEB11	HMR	DR

AMP WIRE RANGE	FILE E13288	LR7189 Certified
4 AWG STRANDED	4 AWG STRANDED	4 AWG STRANDED



- 1 STAMP AMP 4* LOCATE APPROX AS SHOWN
- 2 TONGUE MATERIAL THK 1.22±0.08 [.048±.003]
- 3 SEE TABLE FOR WIRE INSULATION DIA MAX
- 4 FOREIGN PRODUCTION ONLY
- 5 TAPE ITEMS ARE ON 30.48[1.200] CENTERS
- 6 OBSOLETE PARTS.
- 7 NOTE DELETED

WIRE INSULATION DIA	"B"	"A"	QTY	PACKAGE TYPE	PART NO
11.43 [.450]	3/8	9.91±0.13 [.390±.005]	20	LOOSE PC, BOX SPL	6-52266-5
	5/16	8.33±0.13 [.328±.005]	500	ON TAPE	1-52266-0
	1/2	13.08±0.13 [.515±.005]	-	LOOSE PC	6-52266-5-4
	3/8	9.91±0.13 [.390±.005]	100		52266-4
	5/16	8.33±0.13 [.328±.005]	100		52266-3
13.08 [.515]	1/2	13.08±0.13 [.515±.005]	-		6-52266-2-4
	3/8	9.91±0.13 [.390±.005]	100		52266-1
	5/16	8.33±0.13 [.328±.005]			52266

AMP INCORPORATED CUSTOMER SERVICE SYSTEMS		MAX RECOMMENDED OPERATING TEMPERATURE: 105° C
FOR ADDITIONAL PRODUCT INFORMATION OR COPIES OF DRAWINGS AND TECHNICAL DOCUMENTS	PRODUCT INFORMATION CENTER 1-800-522-6752	VOLTAGE RATING: 600 V MAX
FOR APPLICATION TOOLING INFORMATION	TOOLING ASSISTANCE CENTER 1-800-722-1111	CIRCULAR MIL AREA: 16.77-26.65mm ² [33,100-52,600] STRANDED
FOR ORDER ENTRY	1-800-526-5142	THIS DRAWING IS A CONTROLLED DOCUMENT FOR AMP INCORPORATED. IT IS SUBJECT TO CHANGE AND THE CONTROLLING ENGINEERING ORGANIZATION SHOULD BE CONTACTED FOR THE LATEST REVISION.

THIS DRAWING IS A CONTROLLED DOCUMENT.	
DIMENSIONS: mm [INCHES]	TOLERANCES UNLESS OTHERWISE SPECIFIED:
0 PLC ± -	1 PLC ± -
1 PLC ± -	2 PLC ± 0.20[.008]
2 PLC ± -	3 PLC ± -
3 PLC ± -	4 PLC ± -
4 PLC ± -	ANGLES ± -

DWN	9-29-93	Tyco Electronics Corporation	
CHK	9-29-93	Harrisburg, PA 17105-3608	
APVD	9-29-93	NAME	
S.S. GOULDEN		TERMINAL, RING TONGUE, PLASTI-GRIP™ WIRE SIZE, 4 AWG	
R. HERSEY		SIZE	
B. BARE		CAGE CODE	
NOT AVAILABLE		DRAWING NO	
APPLICATION SPEC		RESTRICTED TO	
114-2161		A3 00779 C-52266	
WEIGHT		SCALE	
-		4:1	
CUSTOMER DRAWING		SHEET 1 OF 1	
		REV U2	