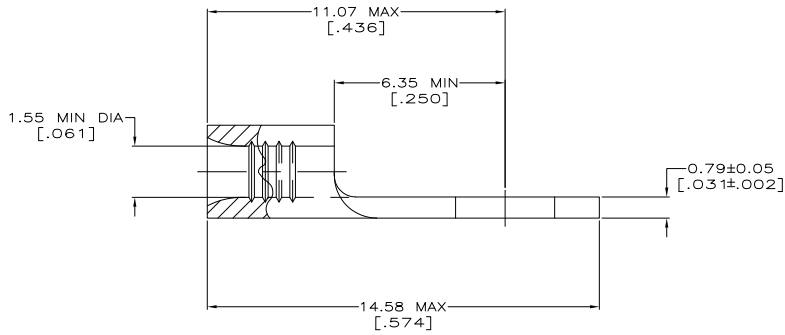
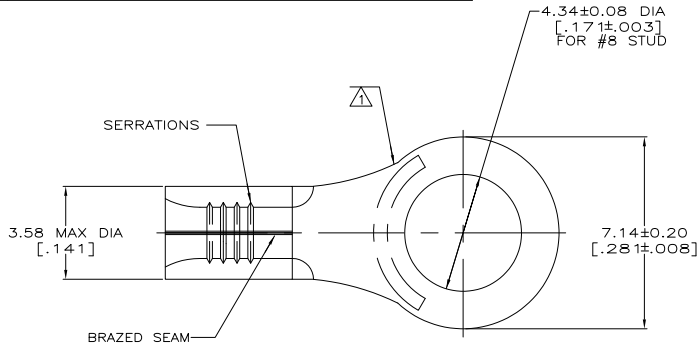


THE DRAWING IS UNPUBLISHED. RELEASED FOR PUBLICATION. ALL RIGHTS RESERVED.

| REV | DATE | DESCRIPTION | BY | APP'D |
|-----|---------|---------------------------|----|-------|
| 1 | 11MAR11 | REVISED PER ECO-11-004587 | RK | HMR |



| | |
|--------------------------------|--------------------------------|
| AMP WIRE RANGE | E13288 Listed |
| 22-16 AWG SOLID OR STRANDED | 22-16 AWG SOLID OR STRANDED |
| LR7189 Certified | MILITARY P/N AND CLASS |
| 22-16 AWG SOLID OR STRANDED | NOT APPLICABLE |



- △ STAMP AMP 22-18* APPROX AS SHOWN
22-16 TERMINALS ARE STAMPED 22-18 IN
ACCORDANCE WITH MILITARY SPEC MIL-7928
COMMERCIAL WIRE RANGE IS 22-16
- △ TIN PL 0.00254[.000100] MIN THK
PER MIL-T-10727
- △ GOLD PL 0.00127[.000050] MIN THK
PER MIL-G-45204 OVER NICKEL PL
0.00076[.000030] MIN THK PER QQ-N-290
- △ TIN LEAD PLATE 0.01016-0.02032
[.000400-.000080] THK PER MIL-P-81728.
- △ PRE-PRODUCTION - FASR REQ.

| | | |
|---|--|--|
| AMP INCORPORATED CUSTOMER SERVICE SYSTEMS | | MAX RECOMMENDED OPERATING TEMPERATURE: 170° C MAX |
| FOR ADDITIONAL PRODUCT INFORMATION OR COPIES OF DRAWINGS AND TECHNICAL DOCUMENTS | PRODUCT INFORMATION CENTER 1-800-522-6752 | VOLTAGE RATING: NOT APPLICABLE |
| FOR APPLICATION TOOLING INFORMATION | TOOLING ASSISTANCE CENTER 1-800-722-1111 | WIRE CROSS SECTIONAL AREA RANGE: 0.26-1.65mm ² [509-3,260] CIR MILS SOLID OR STRANDED |
| FOR ORDER ENTRY | 1-800-526-5142 | THIS DRAWING IS A CONTROLLED DOCUMENT FOR AMP INCORPORATED. IT IS SUBJECT TO CHANGE AND THE CONTROLLING ENGINEERING ORGANIZATION SHOULD BE CONTACTED FOR THE LATEST REVISION. |

| | | | |
|--------|----------|---|-----------|
| △ | - | LOOSE PIECE | △ 34108-2 |
| △ | 100 | LOOSE PIECE, BOX SPECIAL (NO WINDOW) | 8-34108-5 |
| △ | 100 | LOOSE PIECE, BOX | 8-34108-1 |
| △ | 5000 | ON TAPE | 2-34108-2 |
| △ | 1000 | LOOSE PIECE | 1-34108-1 |
| △ | - | LOOSE PIECE | 34108 |
| FINISH | QUANTITY | PACKAGING TYPE | PART NO |

| | | | | |
|---|--|----------------------------------|--------------------------------------|---------------------|
| THIS DRAWING IS A CONTROLLED DOCUMENT. | | BY TA BRINKMAN 3-10-93 | TE Connectivity | |
| DIMENSIONS: MM(INCHES) | | CHK DA PATTERSON 3-10-93 | TERMINAL, RING TONGUE, SOLISTRAND | |
| MATERIAL: COPPER PER ASTM B-152 ANNEALED | | APP'D DE MILLER 3-10-93 | SIZE A2 | DRAWING NO 00779 |
| FINISH SEE TABLE | | PRODUCT SPEC APPLICATION SPEC | SCALE 10:1 | SHEET 1 of 1 |
| | | WEIGHT CUSTOMER DRAWING | RESTRICTED TO | REV D1 |

1471-9 (3/11)

34108

A