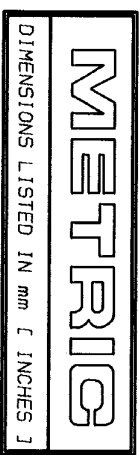
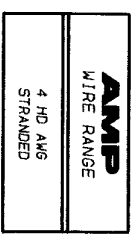
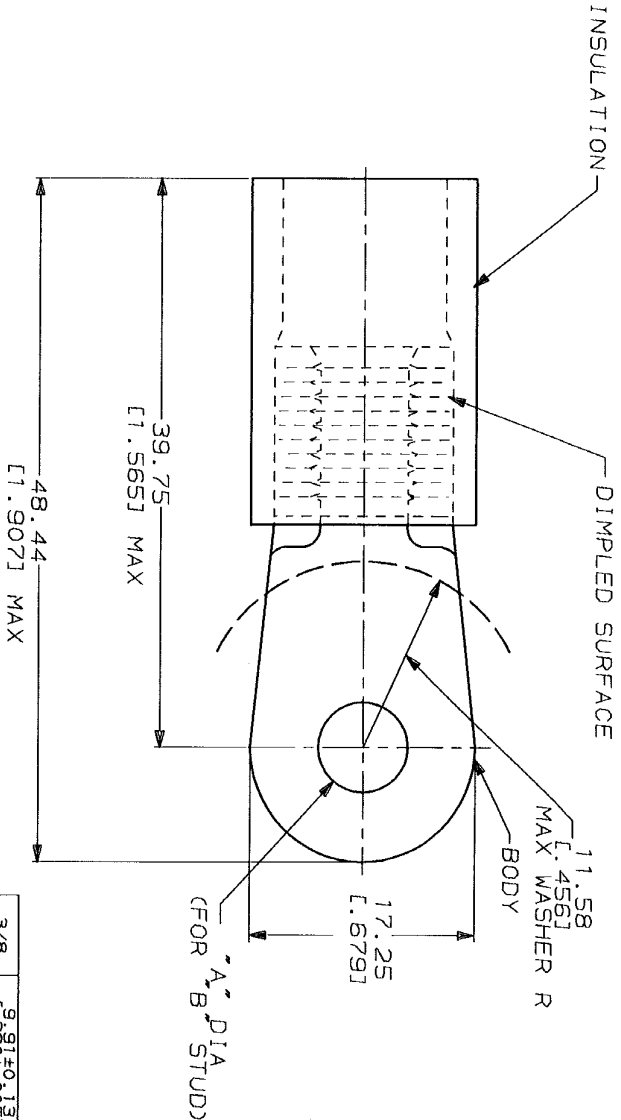


THIS DRAWING IS UNPUBLISHED. RELEASED FOR PUBLICATION BY AMP INCORPORATED. ALL INTERNATIONAL RIGHTS RESERVED. © COPYRIGHT 1989

LOC	DIST	P	ZONE	LTR	REVISIONS	DATE	APPD
G	14	P	D	EC 0720-0279-93	DESCRIPTION	5-23-93	56 BB



1. TONGUE MATERIAL THK 2.31±0.08 [0.091±.004] FOR 11.25 [0.443] MAX WIRE INS DIA



AMP INCORPORATED
CUSTOMER SERVICE SYSTEMS

FOR ADDITIONAL PRODUCT INFORMATION OR COPIES OF DRAWINGS AND TECHNICAL DOCUMENTS	PRODUCT INFORMATION CENTER 1-800-522-6752	VOLTAGE RATING:	105°c
FOR APPLICATION TOOLS INFORMATION	TOOLING ASSISTANCE CENTER 1-800-722-1111	CIRCULAR MIL AREA:	16.8-26.7mm² [33, 100-52, 600] STRANDED
FOR ORDER ENTRY	1-800-526-5142	THIS DRAWING IS A CONTROLLED DOCUMENT FOR AMP AND THE CONTROLLING ENGINEERING ORGANIZATION SHOULD BE CONTACTED FOR THE LATEST REVISION.	

DO NOT SCALE PRINT. DIMENSIONS SHOWN IN MILLIMETERS UNLESS OTHERWISE SPECIFIED. TOLERANCES ON: 3 P.C. DEC ± 0.20 [0.008] ANGLES ± 0.5°	DR 6-21-83 S. S. GULLOEN	OR 6-21-83 R. HERGENY	APPD 6-21-83 B. BAWE	APPL. SPEC	SCALE	SIZE	CAGE CODE	DRAWING NO
MATERIAL: COPPER PER ASTM B-152 NYLON (MIL-N-20893) TYPE 1 COLOR: YELLOW	FINISH: TIN PLATE PER MIL-T-10727	QTY	PACKAGE TYPE	LOOSE PC	AMP	TERMINAL, RING TONGUE, TERMINAL WIRE SIZE: 4 HD AWG	00779	331421
AMP 140-15 REV 3-82	10:38:14	AMP1122	<UJ128A>DEPT1132>AMP1122U.CUSTOMINVL	CUSTOMER DRAWING	AMP Incorporated	Harrisburg, PA 17105-3608		

23 JUN 1993 10:38:14 AMP1122 <UJ128A>DEPT1132>AMP1122U.CUSTOMINVL

CUSTOMER DRAWING