

4

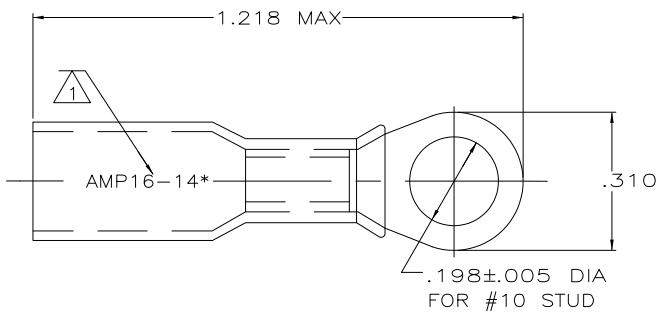
3

2

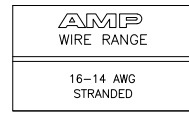
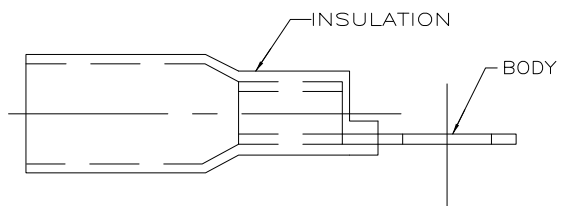
1

THIS DRAWING IS UNPUBLISHED. RELEASED FOR PUBLICATION
 © COPYRIGHT - BY TYCO ELECTRONICS CORPORATION. ALL INTERNATIONAL RIGHTS RESERVED.

| LOC | DIST | REVISIONS | | | | |
|-----|------|---------------------------|---------|-----|------|--|
| P | LTR | DESCRIPTION | DATE | DWN | APVD | |
| E | | REVISED PER ECR-09-027352 | 17FEB10 | JR | TM | |



- 1 STAMP AMP 16-14* APPROX AS SHOWN
- 2 WIRE INSULATION DIA .190 MAX
- 3 TONGUE MATERIAL THK .032±.002
- 4 PRELIMINARY - NOT FOR PRODUCTION



| QTY | PACKAGE TYPE | PART NO |
|------|---------------|-------------|
| 2500 | ON TAPE, REEL | 4 2-55852-1 |
| 50 | LOOSE PIECE | 8-55852-2 |
| 1000 | LOOSE PIECE | 55852-1 |

| | | | | | | |
|--|--|---|--|--|--|---|
| AMP INCORPORATED CUSTOMER SERVICE SYSTEMS | | MAX RECOMMENDED OPERATING TEMPERATURE: 125° C MAX | THIS DRAWING IS A CONTROLLED DOCUMENT. | | DWN S S GOULDEN 6/93 | Tyco Electronics Corporation Harrisburg, PA 17105-3608 |
| | | | DIMENSIONS: INCHES | TOLERANCES UNLESS OTHERWISE SPECIFIED: | CHK R HERSEY 6/93 | |
| FOR ADDITIONAL PRODUCT INFORMATION OR COPIES OF DRAWINGS AND TECHNICAL DOCUMENTS | PRODUCT INFORMATION CENTER 1-800-522-6752 | VOLTAGE RATING: 600V MAX (BUILDING WIRING) 1000V MAX (FIXTURES & SIGNS) | | 0 PLC ± - 1 PLC ± - 2 PLC ± .008 3 PLC ± - 4 PLC ± - ANGLES ± - | APVD B BARE 6/93 | Terminal, Ring Tongue, Sealable Heat Shrinkable |
| FOR APPLICATION TOOLING INFORMATION | TOOLING ASSISTANCE CENTER 1-800-722-1111 | CIRCULAR MIL AREA: 1.04-2.62mm ² [2050-5180] STRANDED | | | MATERIAL BODY: ETP COPPER INSULATION: POLYOLEFIN COLOR: BLUE | |
| FOR ORDER ENTRY | 1-800-526-5142 | THIS DRAWING IS A CONTROLLED DOCUMENT FOR AMP INCORPORATED. IT IS SUBJECT TO CHANGE AND THE CONTROLLING ENGINEERING ORGANIZATION SHOULD BE CONTACTED FOR THE LATEST REVISION. | | | WEIGHT 408-4022 | SIZE A3 CAGE CODE 00779 DRAWING NO C-55852 RESTRICTED TO |
| | | | | | CUSTOMER DRAWING | SCALE NTS SHEET 1 OF 1 REV E |