

4

3

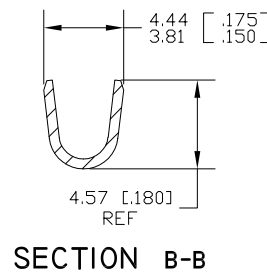
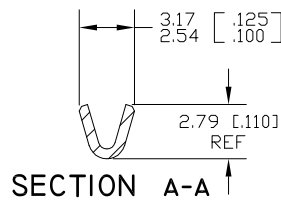
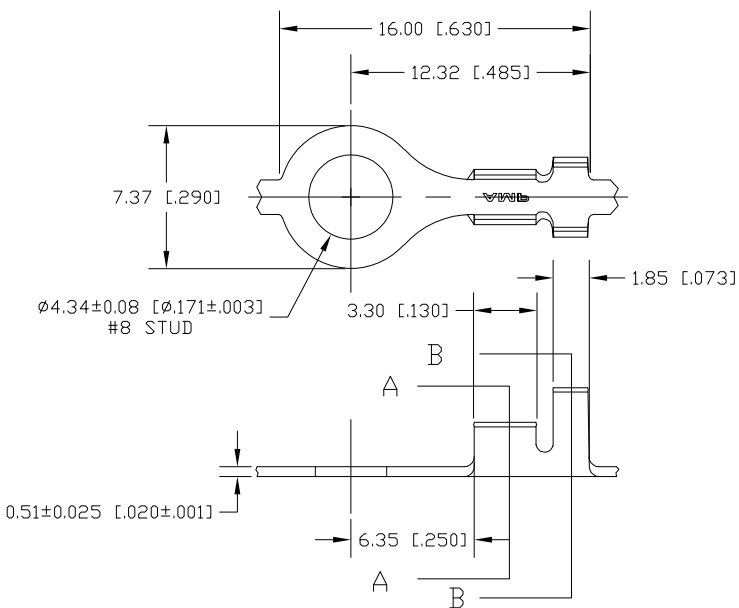
2

1

THIS DRAWING IS UNPUBLISHED. RELEASED FOR PUBLICATION .19  
 © COPYRIGHT 19 BY AMP INCORPORATED. ALL RIGHTS RESERVED.

| LOC |     | DIST                         |  | REVISIONS |         |     |      |  |
|-----|-----|------------------------------|--|-----------|---------|-----|------|--|
| P   | LTR | DESCRIPTION                  |  |           | DATE    | DWN | APVD |  |
|     | H2  | REV UPDATE PER ECR 05-015567 |  |           | 16NOV05 | JR  | DD   |  |

- 1 CONTINUOUS STRIP ON REELS.
- 2 WIRE SIZE IS [#24-#20] AWG.
- 3 INSULATION RANGE IS 2.03-2.54 [.080-.100] DIA.



41581  
PART NO.

|  |                      |                             |  |              |
|--|----------------------|-----------------------------|--|--------------|
| THIS DRAWING IS A CONTROLLED DOCUMENT. |                      | DWN<br>J RUTH<br>04AUG00    | <b>AMP</b> AMP Incorporated<br>Harrisburg, PA 17105-3608 |              |
| DIMENSIONS:<br>MM [INCHES]             |                      | CHK<br>MS FEHER<br>04AUG00  |  |              |
| TOLERANCES UNLESS OTHERWISE SPECIFIED: |                      | APVD<br>D DECKER<br>04AUG00 | NAME<br>RING TONGUE                                      |              |
| 0 PLC ± -                              |                      | PRODUCT SPEC                | SIZE CAGE CODE DRAWING NO                                |              |
| 1 PLC ± -                              |                      | APPLICATION SPEC            | RESTRICTED TO  |              |
| 2 PLC ± 0.38[.015]                     |                      | WEIGHT                      | A3 00779 C-41581   |              |
| 3 PLC ± -                              |                      | CUSTOMER DRAWING            | SCALE 5:1  | SHEET 1 OF 1 |
| 4 PLC ± -                              |                      |                             |  | REV H2       |
| ANGLES ± -                             |                      |                             |  |              |
| MATERIAL<br>0B2 BRASS                  | FINISH<br>TIN PLATED |                             |  |              |