

4

3

2

1

THIS DRAWING IS UNPUBLISHED. RELEASED FOR PUBLICATION  
 © COPYRIGHT - By - ALL RIGHTS RESERVED.

LOC	DIST	REVISIONS		
P	LR	DESCRIPTION	DATE	BY
G	14			
	P3	REVISED PER ECO-11-004820	11MAR11	RK HMR

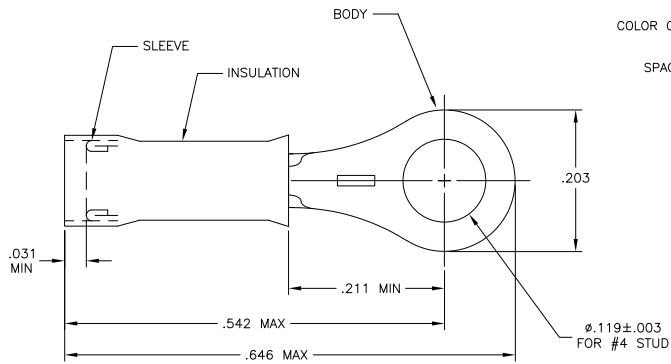
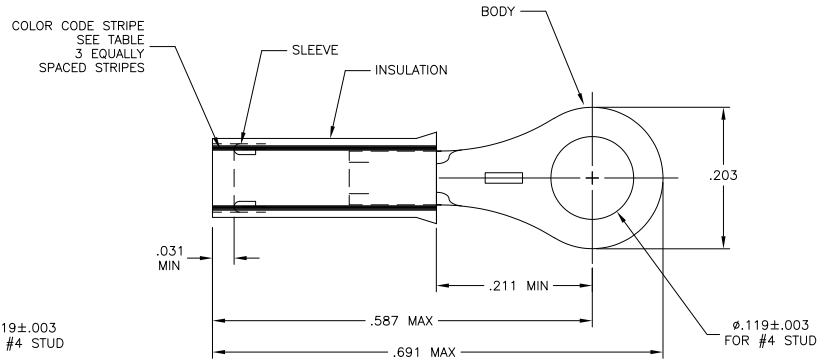


FIGURE 1

FOR .050 TO .082 WIRE INSULATION DIA

FIGURE 2  
INSULATION RESTRICTING  
FOR X/Y WIRE INSULATION DIA

1 TONGUE MATERIAL THK IS .018±.002

△ MEETS MS25036-144, CLASS 2

1	WIRE TERMINAL INSULATION RESTRICTING	BODY: COPPER (ASTM-B152) TIN PL (ASTM-B545) SLEEVE: COPPER (ASTM-B152) NICKEL PL. (QQ-N-290) INSULATION: NYLON COLOR: YELLOW (ASTM-D4066) TYPE 1	2-323914-2
100	LOOSE PC, BOX	BODY & SLEEVE: COPPER (ASTM-B152) TIN PL (ASTM-B545)	8-323914-1
4000	323914 ON TAPE	INSULATION: NYLON COLOR: YELLOW (ASTM-D4066) TYPE 1	△ 2-323914-1
1	WIRE TERMINAL		△ 323914
QTY	DESCRIPTION	MATERIAL & FINISH	PART NO

PART NO.	STYLE	WIRE SIZE	STRIPE COLOR	"X/Y"	PART NO. ON TAPE
8-323914-1	FIGURE 1	#26-#22	NONE	-	
2-323914-2	FIGURE 2	#24	BLACK	.031/.055	
323914 △	FIGURE 1	#26-#22	NONE	-	2-323914-1 △

DIMENSIONS:		TOLERANCES UNLESS OTHERWISE SPECIFIED:		APPROVED:		TE Connectivity	
INCHES		FRACTIONS		DRAWN		TERMINAL, NYLON - PIDG - RING TONGUE	
0 PLC ± .005		1/16 ± .005		J.R. RUTH		WIRE SIZE: 26-22	
1 PLC ± .005		1/32 ± .005		TOM MICHELLOTTI		SIZE CASE CODE DRAWING NO	
2 PLC ± .005		3/32 ± .005		MIKE PERCHERKE		A2 00779 C=323914	
3 PLC ± .005		1/8 ± .005		APPROVED:		RESTRICTED TO	
4 PLC ± .005		1/4 ± .005		PRODUCT SPEC		-	
ANGLES ± .5°		FINISH		WEIGHT		-	
MATERIAL SEE TABLE		SEE TABLE		CUSTOMER DRAWING		SCALE 10:1 SHEET 1 of 1 REV P3	

1471-9 (3/11)

323914

B

A