

4

3

2

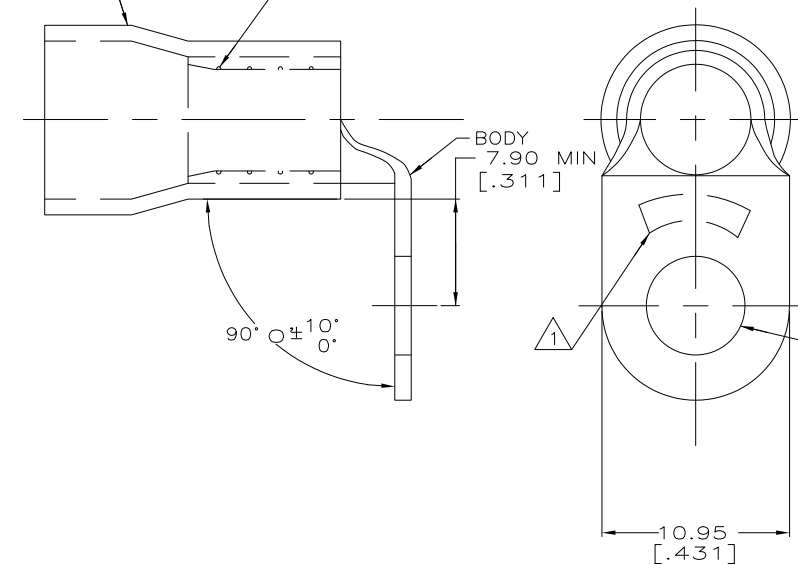
1

THIS DRAWING IS UNPUBLISHED. RELEASED FOR PUBLICATION
 © COPYRIGHT BY TYCO ELECTRONICS CORPORATION. ALL INTERNATIONAL RIGHTS RESERVED.

| LOC | DIST | REVISIONS | | | |
|-----|------|-------------|---------------------------|---------|--------|
| P | LTR | DESCRIPTION | DATE | DWN | APVD |
| G | 14 | D1 | REVISED PER ECO-11-002228 | 11FEB11 | HMR DR |

| | | |
|--------------------------|-----------------------|----------------------------|
| AMP WIRE RANGE | FILE E13288 | LR7189 Certified |
| 8 AWG STRAINED | 8 AWG STRAINED | 8 AWG STRAINED |

SLEEVE DIMPLED SURFACE



- 1 STAMP AMP 8* LOCATE APPROX AS SHOWN
 2 TONGUE MATERIAL THK 1.02±0.08[.040±.003]
 3 WIRE INSULATION DIA 9.14[.360] MAX

5.00±0.08
 [.197±.003] DIA
 (FOR #10 STUD)

| | | |
|-----|--------------|---------|
| 100 | LOOSE PC | 55654-1 |
| QTY | PACKAGE TYPE | PART NO |

| | | |
|---|--|--|
| AMP INCORPORATED CUSTOMER SERVICE SYSTEMS | | MAX RECOMMENDED OPERATING TEMPERATURE: 105° C |
| FOR ADDITIONAL PRODUCT INFORMATION OR COPIES OF DRAWINGS AND TECHNICAL DOCUMENTS | PRODUCT INFORMATION CENTER 1-800-522-6752 | VOLTAGE RATING: 600 V MAX |
| FOR APPLICATION | TOOLING ASSISTANCE CENTER 1-800-722-1111 | CIRCULAR MIL AREA: 6.64-10.54mm ² [13,100-20,800] STRAINED |
| TOOLING INFORMATION | 1-800-526-5142 | THIS DRAWING IS A CONTROLLED DOCUMENT FOR AMP INCORPORATED. IT IS SUBJECT TO CHANGE AND THE CONTROLLING ENGINEERING ORGANIZATION SHOULD BE CONTACTED FOR THE LATEST REVISION. |

| | | |
|--|----------------------------|---------------------------------|
| THIS DRAWING IS A CONTROLLED DOCUMENT. | | DWN S.S. GOULDEN 10-12-93 |
| DIMENSIONS: mm [INCHES] | | CHK R. HERSEY 10-12-93 |
| TOLERANCES UNLESS OTHERWISE SPECIFIED: | | APVD B. BARE 10-12-93 |
| 0 PLC ± - | 1 PLC ± - | NAME NOT AVAILABLE |
| 2 PLC ± 0.20[.008] | 3 PLC ± - | PRODUCT SPEC |
| 4 PLC ± - | FINISH | APPLICATION SPEC |
| ANGLES ± - | TIN PLATE PER ASTM B545 | 114-2161 |
| MATERIAL COPPER PER ASTM B-152 PVC, COLOR: RED | FINISH | WEIGHT - |

| | | |
|---|--------------------|-----------------------|
| Tyco Electronics Corporation Harrisburg, PA 17105-3608 | | |
| NAME TERMINAL, RING TONGUE-BENT 90 DEG PLASTI-GRIP, WIRE SIZE: 8 AWG | | |
| SIZE A3 | CAGE CODE 00779 | DRAWING NO C-55654 |
| CUSTOMER DRAWING | | RESTRICTED TO - |
| SCALE 4:1 | SHEET 1 OF 1 | REV D1 |

1470-19 (1/08)