

4

3

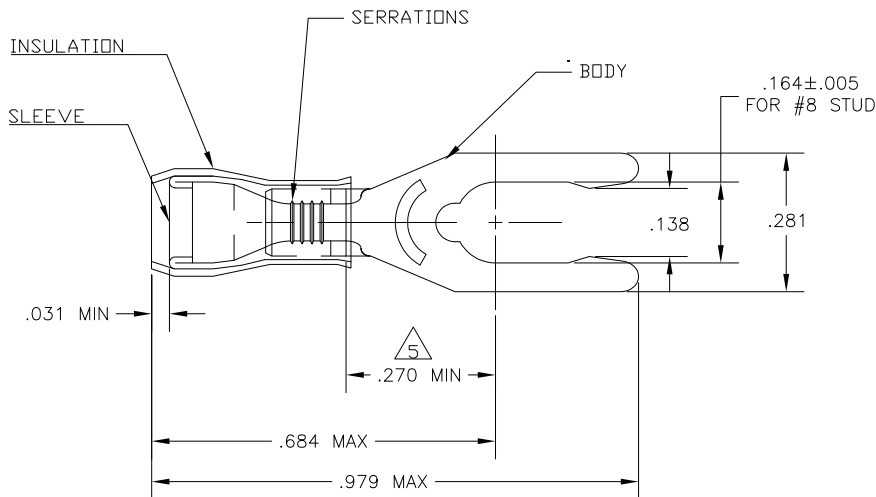
2

1

THIS DRAWING IS UNPUBLISHED. RELEASED FOR PUBLICATION
 © COPYRIGHT - By - ALL RIGHTS RESERVED.

LOC	DIST	REVISIONS			
P	LTR	DESCRIPTION	DATE	DWN	APVD
G	14	K2	REVISED PER ECO-11-004820	11MAR11	RK HMR

AMP WIRE RANGE	Listed FILE E13288	LR7189 Certified
22-16 AWG SOLID OR STRANDED	22-16 AWG SOLID OR STRANDED	22-16 AWG SOLID OR STRANDED



- 1 STAMP AMP 22-18* APPROX AS SHOWN
 22-16 TERMINALS ARE STAMPED 22-18 IN
 ACCORDANCE WITH MILITARY SPEC MIL-T-7928
 COMMERCIAL WIRE RANGE IS 22-16
- 2 WIRE INSULATION DIA: .080-.125
- 3 TONGUE MATERIAL THK: .031±.002
- 4 MATERIAL: BODY - PHOS BRONZE PER ASTM B103
 TIN PLATE PER ASTM B545
 SLEEVE - CU PER ASTM B152
 TIN PLATE PER ASTM B545
 INSULATION - NYLON, COLOR - SEE TABLE
- 5 APPLIES FROM THE METAL EDGE OF BARREL TO
 CENTERLINE OF STUD.

RED	100	LOOSE PIECE, BOX	8-52410-1
NATURAL	1000	LOOSE PIECE	1-52410-0
RED	5000	52410 ON TAPE, REEL	52410-1
RED	1000	LOOSE PIECE	52410
INSULATION COLOR	QTY	PACKAGING TYPE	PART NO.

CUSTOMER SERVICE SYSTEMS

MAX RECOMMENDED OPERATING
TEMPERATURE:

105°C [221°F]

VOLTAGE RATING:
300 V MAX

CIRCULAR MIL AREA:
0.26-1.65mm² [509-3260]
SOLID OR STRANDED

THIS DRAWING IS A CONTROLLED DOCUMENT.

DIMENSIONS:

INCHES

TOLERANCES UNLESS
OTHERWISE SPECIFIED:

0 PLC ± -
 1 PLC ± -
 2 PLC ± .008
 3 PLC ± -
 4 PLC ± -
 ANGLES ± -

MATERIAL

FINISH

-4

-4

DWN	JR RUTH	10DEC09	TE Connectivity
CHK	TOM MICHIELUTTI	10DEC09	
APVD	TOM MICHIELUTTI	10DEC09	NAME
PRODUCT SPEC	108-1034		TERMINAL, SPRING SPADE PIDG, WIRE SIZE 22-16
APPLICATION SPEC	NOT AVAILABLE		
WEIGHT	-	SIZE	CAGE CODE
		A3	00779
		DRAWING NO	52410
CUSTOMER DRAWING		SCALE	4:1
		SHEET	1 OF 1
		REV	K2