

4

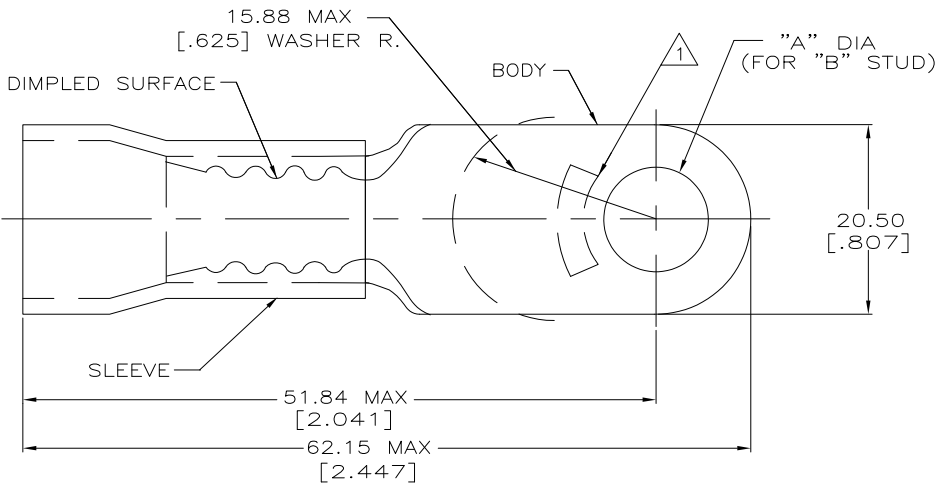
3

2

1

THIS DRAWING IS UNPUBLISHED. RELEASED FOR PUBLICATION  
 © COPYRIGHT - BY TYCO ELECTRONICS CORPORATION. ALL INTERNATIONAL RIGHTS RESERVED.

LOC	DIST	REVISIONS				
P	LTR	DESCRIPTION	DATE	DWN	APVD	
G	14	H1	REVISED PER ECO-11-002228	11FEB11	HMR DR	



<b>AMP</b> WIRE RANGE	<b>RA</b> FILE E13288	<b>SE</b> LR7189 Certified
1/0 AWG STRANDED	1/0 AWG STRANDED	1/0 AWG STRANDED

- 1 △ STAMP AMP 1/0 W\* LOCATE APPROX AS SHOWN
- 2 TONGUE MATERIAL THK 1.78±0.08[.070±.003]
- 3 SEE TABLE FOR WIRE INSULATION DIA MAX
- 4 △ PRELIMINARY - NOT FOR PRODUCTION

16.89 [.665]	3/8	9.91±0.13 [.390±.005]	50	LOOSE PC	52045-5
17.37 [.684]	5/16	8.33±0.13 [.328±.005]			52045-2
WIRE INSULATION DIA MAX	1/4	6.73±0.13 [.265±.005]			52045-1
	"b"	"A"			△ 52045
DWN S.S. GOULDEN 9-28-93		Tyco Electronics Corporation		52045-5	
CHK R. HERSEY 9-28-93		Harrisburg, PA 17105-3608		52045-2	
APVD B. BARE 9-28-93		NAME		52045-1	
PRODUCT SPEC		TERMINAL, RING TONGUE,		△ 52045	
NOT AVAILABLE		PLASTI-GRIP,			
APPLICATION SPEC		WIRE SIZE: 1/0 AWG			
114-2161		SIZE	CAGE CODE	DRAWING NO	RESTRICTED TO
WEIGHT		A3	00779	C=52045	
CUSTOMER DRAWING		SCALE 4:1		SHEET 1 OF 1	REV H1

**AMP INCORPORATED  
CUSTOMER SERVICE SYSTEMS**

FOR ADDITIONAL PRODUCT INFORMATION OR COPIES OF DRAWINGS AND TECHNICAL DOCUMENTS	PRODUCT INFORMATION CENTER 1-800-522-6752
FOR APPLICATION TOOLING INFORMATION	TOOLING ASSISTANCE CENTER 1-800-722-1111
FOR ORDER ENTRY	1-800-526-5142

MAX RECOMMENDED OPERATING TEMPERATURE: 105° C
VOLTAGE RATING: 600 V MAX
CIRCULAR MIL AREA: 42.41-60.55mm²[83,700-119,500] STRANDED

THIS DRAWING IS A CONTROLLED DOCUMENT.	
DIMENSIONS: mm [INCHES]	TOLERANCES UNLESS OTHERWISE SPECIFIED:
0 PLC ± -	1 PLC ± -
1 PLC ± -	2 PLC ± 0.20[.008]
2 PLC ± -	3 PLC ± -
3 PLC ± -	4 PLC ± -
4 PLC ± -	ANGLES ± -
MATERIAL COPPER PER ASTM B-152 PVC, COLOR: BLUE	FINISH TIN PLATE PER ASTM-B545