

4

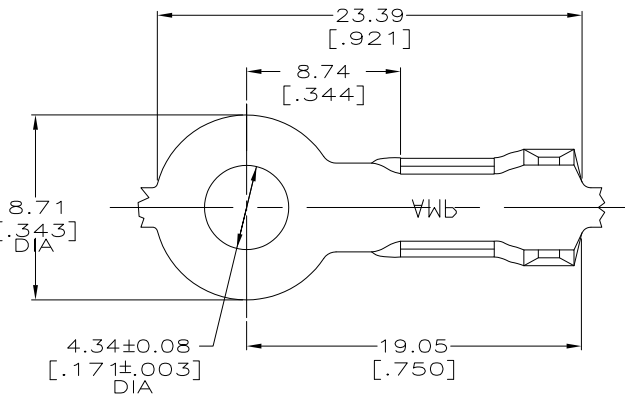
3

2

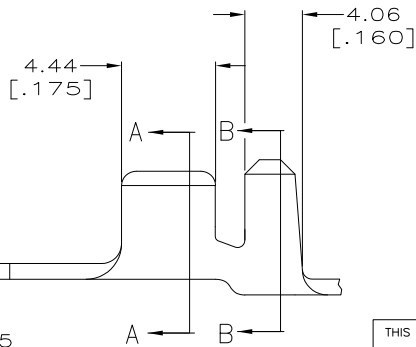
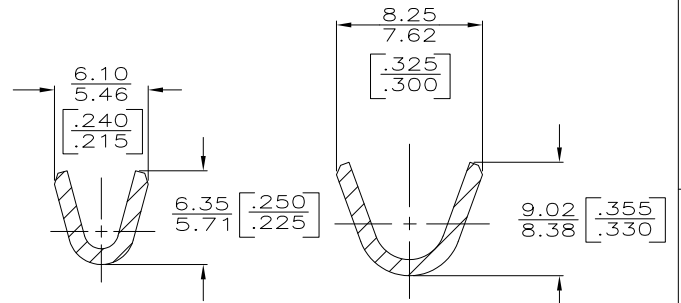
1

THIS DRAWING IS UNPUBLISHED. RELEASED FOR PUBLICATION
 © COPYRIGHT - BY TYCO ELECTRONICS CORPORATION. ALL INTERNATIONAL RIGHTS RESERVED.

LOC		DIST		REVISIONS			
P	LTR	DESCRIPTION		DATE	DWN	APVD	
	J	REVISED PER ECR-10-006099		07JUL10	HMR	PD	



1 CONTINUOUS STRIP ON REEL.



1.016±0.025
 [.040±.001]

4.32-5.33 DIA [.170-.210]	[12-10] AWG	42863-2
INSULATION RANGE	WIRE RANGE	PART NO
DWN PHILLIP M. FORTNEY 27/JUN/95 CHK JEFF R. RUTH 27/JUN/95 APVD GARY YETTER 27/JUN/95 NAME PRODUCT SPEC APPLICATION SPEC WEIGHT SIZE A3 CAGE CODE 00779 DRAWING NO C-42863 RESTRICTED TO CUSTOMER DRAWING SCALE 5:1 SHEET 1 OF 1 REV J		

THIS DRAWING IS A CONTROLLED DOCUMENT.	
DIMENSIONS: mm [INCHES]	TOLERANCES UNLESS OTHERWISE SPECIFIED:
0 PLC ± -	1 PLC ± -
2 PLC ± 0.38 [015]	3 PLC ± -
4 PLC ± -	ANGLES ± -
MATERIAL 082 BRASS	FINISH TIN