

4

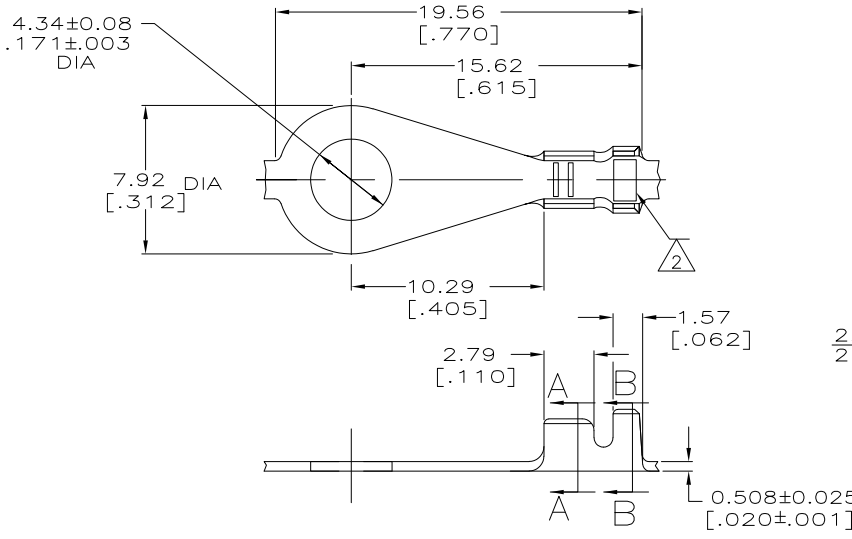
3

2

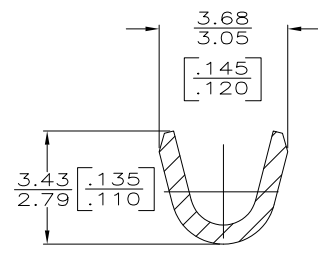
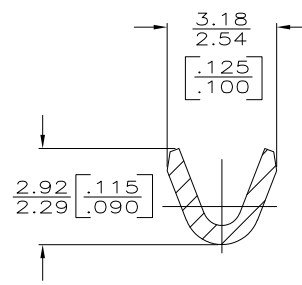
1

THIS DRAWING IS UNPUBLISHED. RELEASED FOR PUBLICATION
 © COPYRIGHT - BY TYCO ELECTRONICS CORPORATION. ALL INTERNATIONAL RIGHTS RESERVED.

LOC	DIST	REVISIONS				
P	LTR	DESCRIPTION	DATE	DWN	APVD	
AF	50	H	REVISED PER ECR-08-007819	19NOV08	HMR DD	



1 CONTINUOUS STRIP ON REEL.
 2 STAMPING: AMP FOR 42508-2
 AMP* FOR 42508-3



METRIC

H02 PHOS BRZ	1.22-1.98 DIA [.048-.078]	0.2 - 0.6mm ² [24-20] AWG	42508-3
#2 HD BRASS			42508-2
MATERIAL	INSULATION RANGE	WIRE RANGE	PART NO
THIS DRAWING IS A CONTROLLED DOCUMENT.		DWN P FORTNEY 5/13/91	
DIMENSIONS: mm [INCHES]		CHK JR RUTH 5/13/91	
TOLERANCES UNLESS OTHERWISE SPECIFIED:		APVD G YETTER 5/13/91	
0 PLC ± -		NAME	
1 PLC ± -		Tyco Electronics	
2 PLC ±0.25 [.010]		Tyco Electronics Corporation	
3 PLC ± -		Harrisburg, PA 17105-3608	
4 PLC ± -		RING	
FINISH		SIZE CAGE CODE DRAWING NO RESTRICTED TO	
TIN PLATING		A3 00779 C-42508	
MATERIAL SEE TABLE		WEIGHT -	
		CUSTOMER DRAWING SCALE 5:1 SHEET 1 OF 1 REV H	

1470-19 (1/08)