

4

3

2

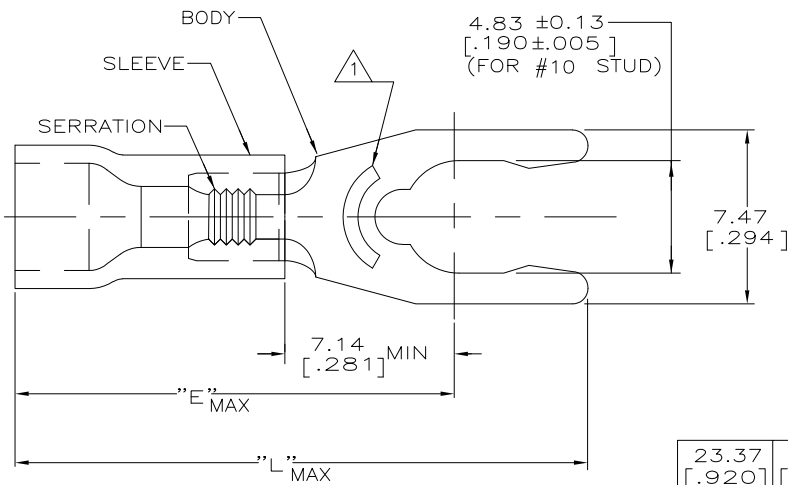
1

THIS DRAWING IS UNPUBLISHED. RELEASED FOR PUBLICATION
 © COPYRIGHT - BY TYCO ELECTRONICS CORPORATION. ALL RIGHTS RESERVED.

LOC	DIST	REVISIONS			
P	LTR	DESCRIPTION	DATE	DWN	APVD
G	14	REV PER ECR 10-005023	05MAR10	JR	TM

AMP WIRE RANGE	Listed FILE E13288	LR7189 Certified
22-16 AWG SOLID OR STRANDED	22-16 AWG SOLID OR STRANDED	22-16 AWG SOLID OR STRANDED

- ① STAMP 10S AMP 22-18* APPROX AS SHOWN
22-16 TERMINALS ARE STAMPED 22-18 IN
ACCORDANCE WITH MILITARY SPEC MIL-T-7928
COMMERCIAL WIRE RANGE IS 22-16
- 2. SEE TABLE FOR WIRE INSUL DIA
- 3. TONGUE MATL THK, 0.79±0.05 [.031±.002]
- ④ MATERIAL: BODY - BRASS PER ASTM B36
SLEEVE - PVC, COLOR - RED



23.37 [.920]	17.70 [.697]	2.67-3.56 [.105-.140]	100	LOOSE PIECE, BOX SPL	8-53242-5
24.61 [.969]	18.95 [.746]	3.81-5.08 [.150-.200]	2500	ON TAPE, REEL	53242-6
24.61 [.969]	18.95 [.746]	3.81-5.08 [.150-.200]	1000	LOOSE PIECE	53242-5
23.37 [.920]	17.70 [.697]	2.67-3.56 [.105-.140]	5000	ON TAPE, REEL	53242-2
23.37 [.920]	17.70 [.697]	2.67-3.56 [.105-.140]	1000	LOOSE PIECE	53242-1
L	E	WIRE INSUL DIA	QTY	PACKAGE TYPE	PART NO

AMP INCORPORATED CUSTOMER SERVICE SYSTEMS		MAX RECOMMENDED OPERATING TEMPERATURE: 105°C [221°F]	THIS DRAWING IS A CONTROLLED DOCUMENT.		DWN L OLMEDA 26JUN95	Tyco Electronics Corporation Harrisburg, Pa 17105-3608	
FOR ADDITIONAL PRODUCT INFORMATION OR COPIES OF DRAWINGS AND TECHNICAL DOCUMENTS	PRODUCT INFORMATION CENTER 1-800-522-6752	VOLTAGE RATING: 600V MAX (1000V FIXTURE OR SIGN)	DIMENSIONS: mm [INCHES]	TOLERANCES UNLESS OTHERWISE SPECIFIED:	CHK M ELLIS 26JUN95	NAME G NGO	TERMINAL, SPRING SPADE, SHORT, PLASTI-GRIP, WIRE SIZE: 22-16
FOR APPLICATION	TOOLING ASSISTANCE CENTER 1-800-722-1111	CIRCULAR MIL AREA: 0.26-1.65mm² [509-3260] SOLID OR STRANDED		0 PLC ± - 1 PLC ± - 2 PLC ± 0.20 [008] 3 PLC ± - 4 PLC ± - ANGLES ± -	APVD G NGO	PRODUCT SPEC UL 486A	SIZE A3
TOOLING INFORMATION	1-800-722-1111	THIS DRAWING IS A CONTROLLED DOCUMENT FOR AMP INCORPORATED. IT IS SUBJECT TO CHANGE AND THE CONTROLLING ENGINEERING ORGANIZATION SHOULD BE CONTACTED FOR THE LATEST REVISION.	MATERIAL ④	FINISH TIN PER ASTM B545	APPLICATION SPEC -	WEIGHT -	CAGE CODE 00779
FOR ORDER ENTRY	1-800-526-5142				RESTRICTED TO -	DRAWING NO C-53242	SCALE 6:1
AMP 1470-19 REV 31MAR2000					CUSTOMER DRAWING		SHEET 1 OF 1

H:\dmtecmod\53242_1-c.dwg