

4

3

2

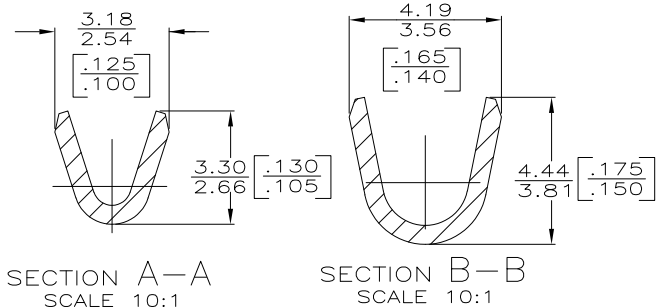
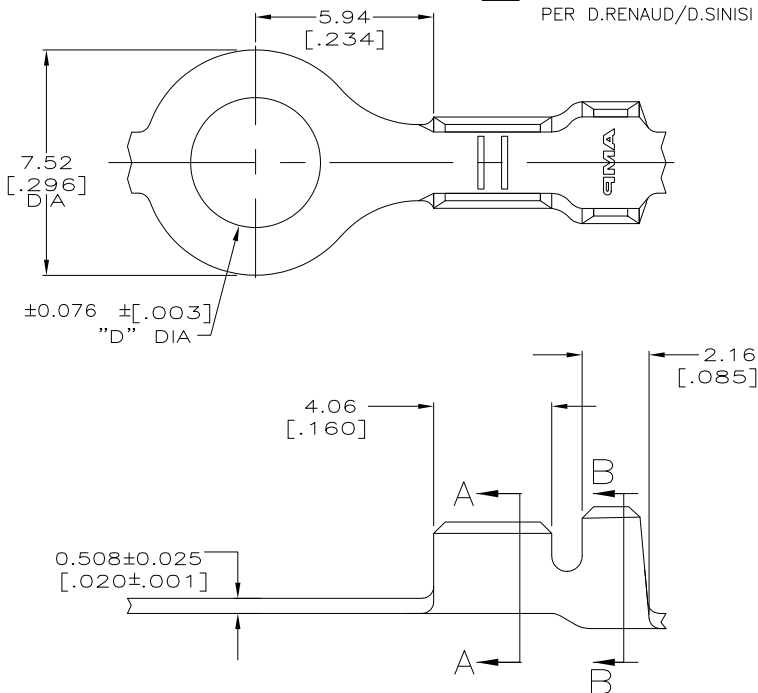
1

THIS DRAWING IS UNPUBLISHED. RELEASED FOR PUBLICATION
 © COPYRIGHT - By - ALL RIGHTS RESERVED.

LOC	DIST	REVISIONS			
P	LTR	DESCRIPTION	DATE	DWN	APVD
AF	50				
	L2	REVISED PER ECO-11-004587	11MAR11	RK	HMR

- 6 REDUCED PACKAGE QUANTITY.
- 7 OBSOLETE PARTS: OBSOLETE CIS STREAMLINING PER D.RENAUD/D.SINISI

- 1 CONTINUOUS STRIP ON REEL.
- 2 WIRE SIZE IS [#22-#18] AWG.
- 3 INSULATION RANGE IS 2.03-2.79 [.080-.110] DIA.
- 4 FOR FOREIGN PRODUCTION ONLY REELED WITH PAPER INTERLEAVE
- 5 PRELIMINARY - NOT FOR PRODUCTION



6	TIN PLATING	M 3.5 - [#6]	3.68 [.145]	42037-9
	TIN PLATING	[#10]	5.00 [.197]	42037-8
4	OBSOLETE	TIN PLATING	M 4 - [#8]	42037-7
	OBSOLETE	TIN PLATING	[#10]	42037-6
	TIN PLATING	[#10]	5.00 [.197]	42037-2
	TIN PLATING	M 4 - [#8]	4.34 [.171]	42037-1
	TIN PLATING	M 3.5 - [#6]	3.68 [.145]	42037
	FINISH	STUD SIZE	D DIM	PART NO

THIS DRAWING IS A CONTROLLED DOCUMENT.

DIMENSIONS: mm [INCHES]	TOLERANCES UNLESS OTHERWISE SPECIFIED:	DWN JR RUTH 01AUG00	TE Connectivity	
0 PLC ± -	1 PLC ± -	CHK MS FEHER 01AUG00	NAME	
2 PLC ± 0.25 [.010]	3 PLC ± -	APVD D DECKER 01AUG00	RING	
4 PLC ± -	ANGLES ± -	PRODUCT SPEC	SIZE	CAGE CODE
MATERIAL 082 BRASS	FINISH SEE TABLE	APPLICATION SPEC	A3	00779
		WEIGHT	C	42037
		CUSTOMER DRAWING	SCALE	8:1
			SHEET	1 OF 1
			REV	L2