

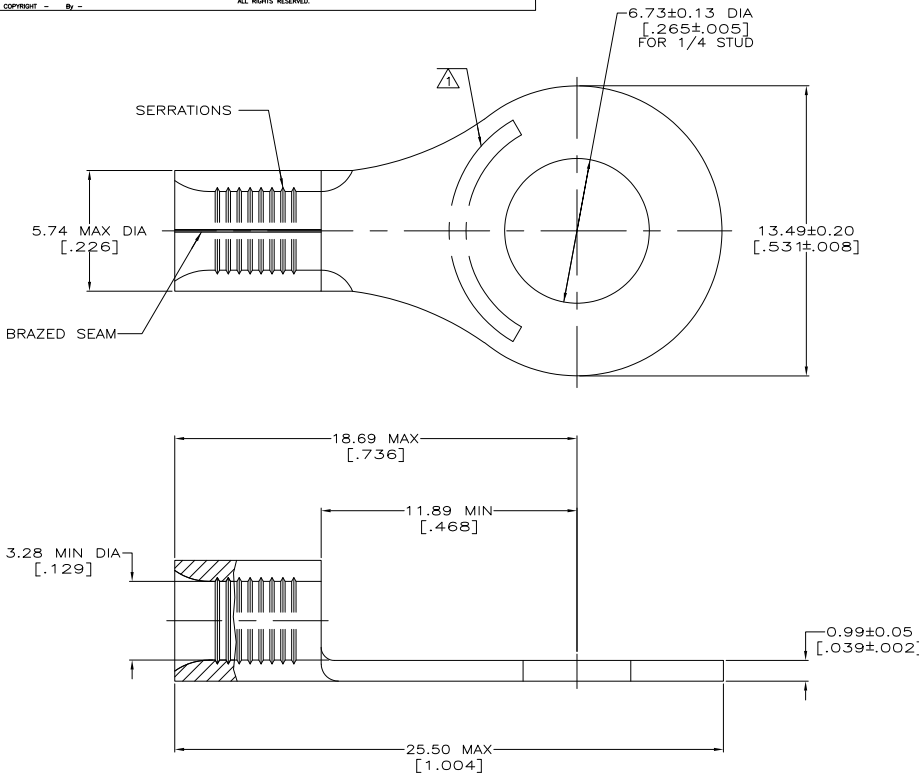
THE DRAWING IS UNPUBLISHED. RELEASED FOR PUBLICATION BY AMP INCORPORATED. ALL RIGHTS RESERVED.

LOC	DATE	REVISIONS	DAP	DATE	BY	APP
G	14	P LTR				
		D1	REVISED PER ECO-11-004820	11MAR11	RK	HMR

**METRIC**  
DIMENSIONS LISTED IN mm [ INCHES ]

<b>AMP</b> WIRE RANGE	E13288 Listed
12-10 AWG SOLID OR STRANDED	NOT APPLICABLE
LR7189 Certified	MILITARY P/N AND CLASS
NOT APPLICABLE	NOT APPLICABLE

STAMP AMP 12-10\* APPROX AS SHOWN



<b>AMP INCORPORATED CUSTOMER SERVICE SYSTEMS</b>		MAX RECOMMENDED OPERATING TEMPERATURE: 343° C MAX
FOR ADDITIONAL PRODUCT INFORMATION OR COPIES OF DRAWINGS AND TECHNICAL DOCUMENTS	PRODUCT INFORMATION CENTER 1-800-522-6752	VOLTAGE RATING: NOT APPLICABLE
FOR APPLICATION TOOLING INFORMATION	TOOLING ASSISTANCE CENTER 1-800-722-1111	WIRE CROSS SECTIONAL AREA RANGE: 2.62-6.64mm <sup>2</sup> [5,180-13,100] CIR MILS SOLID OR STRANDED
FOR ORDER ENTRY	1-800-526-5142	THIS DRAWING IS A CONTROLLED DOCUMENT FOR AMP INCORPORATED. IT IS SUBJECT TO CHANGE AND THE CONTROLLING ENGINEERING ORGANIZATION SHOULD BE CONTACTED FOR THE LATEST REVISION.

THIS DRAWING IS A CONTROLLED DOCUMENT.		BY TA BRINKMAN 4-18-93	323063	
		CHK DA PATTERSON 4-19-93	PART NO	
		APP DE MILLER 4-18-93	TE Connectivity	
		PRODUCT SPEC	TERMINAL, RING TONGUE, HEAT RESISTANT, STRATO-THERM™	
		APPLICATION SPEC	SIZE A2 CAGE CODE 00779 DRAWING NO 323063	
		WEIGHT	RESTRICTED TO	
MATERIAL: COPPER PER ASTM B-152 ANNEALED		FINISH: NICKEL PLATE 0.0075±0.000300MIN THK PER QQ-N-290	CUSTOMER DRAWING	
		SCALE 3:1	SHEET 1 of 1 REV D1	

141-9 (5/11)

323063

A