

4

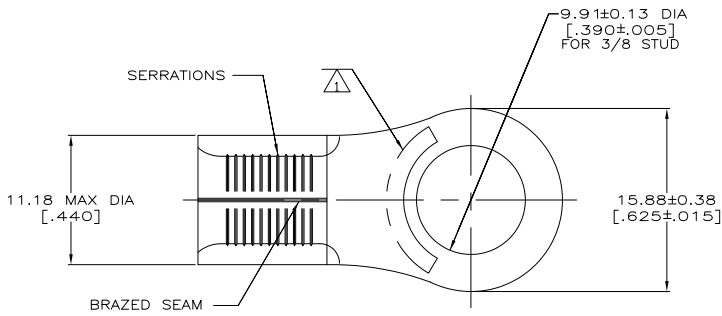
3

2

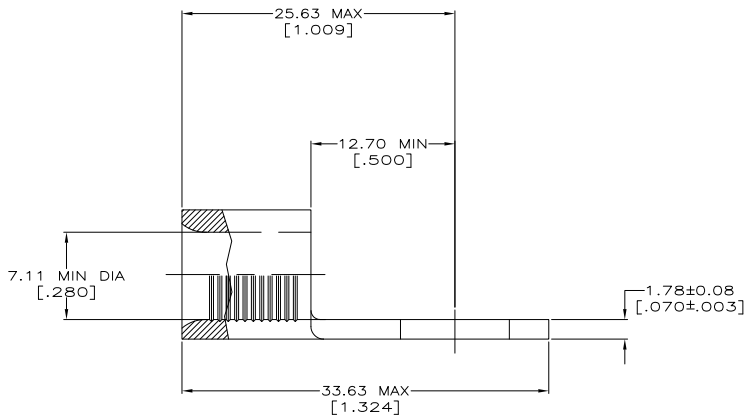
1

THIS DRAWING IS UNPUBLISHED. RELEASED FOR PUBLICATION.
 BY TYCO ELECTRONICS CORPORATION. ALL INTERNATIONAL RIGHTS RESERVED.

LOC	DIST	REVISIONS		
F	LR	DESCRIPTION	DATE	BY
G	14	REVISED PER ECR-09-026553	08DEC09	HMR TM



WIRE RANGE	LISTED FILE E13288	LR7189 Certified
4 AWG SOLID OR STRANDED	4 AWG STRANDED	4 AWG SOLID OR STRANDED



- 1 STAMP AMP 4W* APPROX AS SHOWN
- 2 TIN PLATE 0.00254 [.00100] MIN THK PER ASTM B-545
- 3 GOLD PLATE 0.000076 [.000003] MIN THK PER ASTM B-488, TYPE 2, CODE C, OVER NICKEL PLATE, 0.00127 [.00050] MIN THK PER QQ-N-290.
- 4 COPPER PER ASTM B-152, ANNEALED
- 5 MEETS MS20659-112, CLASS 2
- 6 PRELIMINARY - NOT FOR PRODUCTION

3	6	2-31812-3
2	5	31812
FINISH		PART NO.

AMP INCORPORATED CUSTOMER SERVICE SYSTEMS		MAX RECOMMENDED OPERATING TEMPERATURE: 170°C MAX
FOR ADDITIONAL PRODUCT INFORMATION OR COPIES OF DRAWINGS AND TECHNICAL DOCUMENTS	PRODUCT INFORMATION CENTER 1-800-522-6752	VOLTAGE RATING: N/A
FOR APPLICATION	TOOLING ASSISTANCE CENTER 1-800-722-1111	CIRCULAR MIL AREA: 16.8-26.7mm² (55,100-82,600) SOLID OR STRANDED
FOR ORDER ENTRY	1-800-526-5142	THIS DRAWING IS A CONTROLLED DOCUMENT FOR AMP. IF YOU ARE AN AMP CUSTOMER, YOU SHOULD BE CONTACTED FOR THE LATEST REVISION.

THIS DRAWING IS A CONTROLLED DOCUMENT.		DRW: TA BRINKMAN 3-29-93	Tyco Electronics Corporation Harrisburg, PA 17105-3608	
DIMENSIONS: mm [INCHES]		CHK: DA PATTERSON 3-29-93	TERMINAL, RING, TONGUE, SOLISTRAND	
TOLERANCES UNLESS OTHERWISE SPECIFIED:		APP: JIL MECKLEY 3-29-93	RESTRICTED TO	
0 PLG ± .-	1 PLG ± .-	APPLICATION SPEC: -	SIZE: A2	CAGE CODE: 00779
2 PLG ± .-	3 PLG ± .-	WEIGHT: -	DRAWING NO: C=31812	
4 PLG ± .-	ANGLES ± .-	FINISH: -	SCALE: 4:1	
MATERIAL: 3	SEE TABLE	CUSTOMER DRAWING	SHEET: 1 of 1	REV: G1

1471-9 (1/08)

31812

A